



The Right Solution.
Every Single Time.

wilo

Selection Book 2023

Wilo Building Service Residential

Valid from 21/04/2023 till next revision



STAR Z TT

Hot water circulator



Technical Data:

Flow: 5 LPM

Head: 1.1 m

Application:

- Taps and showers for
- Residential buildings
- Commercial buildings
- Small hospitals

Standard Features:

- Brass housing pump with integrated timer and temperature control
- 3 programmable switch-on and switch-off times
- Plug n Play "Red button technology press and turn"
- Display with symbolic language
- In built NRV and ball shut off valve
- **Silent operation**
- **Energy efficient and user friendly operating concept**
- Maintenance free
- Std. thermal insulation shell
- Rp 1/2 inner thread for easy installation
- Integrated temperature sensor to detect return line temperature
- Anti blocking function

Star RS 15/6, RS 25/6, RS 25/8

Hot water circulator



Technical Data:

Flow: upto 100 LPM

Head: upto 8 m

Application:

- Solar System, Heat Pumps system, air-conditioning system
- Industrial use
- Cold water systems & air-condition system

Standard Features:

- Wet motor pump
- Low power consumption
- 3 pre-selectable speed stage for power adjustment
- Terminal box position rotatable 3h; 6h; 9h; 12h
- Electrical connection possible on both sides of the terminal box

RLTC

Return Line Temperature Controller



Standard Features :

- Hot water circulator pump
- Wall Mounted IP 54 Enclosures
- Input Power Supply 230VAC \pm 10%,50Hz 5A
- Out Put Power Supply SPDT 230VAC, 10A resistive
- Ambient Temperature 40°C
- Relative Humidity 95% non-condensing
- Auto-Off-Manual Switch
- Temperature controller with 7 Segment digital display and keys
- Thermocouple digital sensor
- Programmable Real time digital timer with LCD display

DTC

Differential Temperature Controller



Standard Features :

- Wall mounted IP 54 enclosures
- Input Power Supply 230VAC \pm 10%, 50Hz
- Out Put Power Supply SPDT 230VAC, 10A max resistive
- Ambient Temperature 40°C
- Relative Humidity 85% non-condensing
- Auto-Off-Manual Switch
- Differential Temperature controller with 7 Segment digital display and keys
- Two Thermocouple/NTC Sensors
- Programmable Real time digital timer with LCD display (only in advanced version)



Application :

- Specially designed for automatic control of instant hot water in solar application for:
 - Bungalows & Villas
 - Apartment
 - Farm house
 - Hotels
 - Hostels
 - Hospitals
- Hot water circulation in heat pumps system and other systems
- Hot water circulation in industrial use

Selection Table

Specifications	Star Z 15 TT	RS 15/6-130	RS 25/6	RS 25/8
Article No.	4110919	4063803	4032956	4094258
Power Source	230 volts, single phase, 50 hz	230 volts, single phase, 50 hz	230 volts, single phase, 50 hz	230 volts, single phase, 50 hz
Fluid Temperature	20°C to 65°C	-10°C to 110°C	-10°C to 110°C	-10°C to 110°C
Total Head (m)High/Med/Low	1 max	6/5/4	6/5/4	7.5/7/5
Max Flow (LPM)High/Med/Low	4.8 max	64/48/40	64/48/40	90/60/40
Inlet (mm)	12.7	15	25	25
Outlet (mm)	12.7	15	25	25
O/P Power P2 (W)	2	38	38	38
Protection Class	IP 42	IP 42	IP 42	IP 42
Max Pressure Bar	10	10	10	10
Casing	Brass	Cast Iron	Cast Iron	Cast Iron
Impeller	GF30	GF40	GF40	Gf40
Shaft	Al203	SS	SS	SS
Weight (kg)	2.1	2.3	2.4	3.8

Pump Model	Article No.	kW	hp	Duty Range Flow (LPM)	Duty Range Head (m)	Pipe Size Suction (mm)	Pipe Size Delivery (mm)
STAR-RS25/6 Pump set + RLTC Advanced	8072202	0.09	0.12	40-64	4-6	25	25
STAR-RS25/6 Pump set + DTC Advanced	8072204	0.09	0.12	40-64	4-6	25	25
STAR RS 15/6+ RLTC Advanced	8072258	0.09	0.12	40-64	4-6	15	15
STAR RS 15/6+ DTC Advanced	8072262	0.09	0.12	40-64	4-6	15	15
STAR RS 25/8+ RLTC Advanced	8072261	0.18	0.24	40-90	5-7.5	15	15
STAR RS 25/8+ DTC Advanced	8072263	0.18	0.24	40-90	5-7.5	25	25
MHIL-102 SINGLE PHASE+ RLTC Advanced	8072264	0.37	0.49	8 - 58	19-8	25	25
MHIL-102-Single phase+DTC Advanced	8126023	0.37	0.49	8 to 58	19 to 8	25	25
MHIL-502-SINGLE PHASE+RLTC Advanced	8228830	0.55	0.73	8-133	55.2-19.6	32	25

PH Series

Hot Water Circulation



Technical Data:

Flow: upto 300 LPM

Head: upto 30 m

Power: 2.2kW (3HP)

Pumping

Temp: Maximum upto 80 °C

Application:

→ Hot water circulation

Standard Features:

- Long life cycle thanks to low motor temperature
- Aluminum motor frame applied : low weight & compact design

Selection Table

Model	Article number	Power Source	Output (W)	Max. Head (m) (/min)	Rated Flow (bar)	Max. Inlet Pressure (bar)	Max. Working Pressure (mm, inch)	Flange Size
PH-041E (steel plate motor housing)	3062974	Single phase 220V 50Hz	40	3.5	35 (Ht=2m)	-	1	25 (1")
PH-042E (steel plate motor housing)	3062973		40	3.5	35 (Ht=2m)	-	1	32 (1 1/4")
PH-045E (ALDC motor housing)	3077914		40	3.5	35 (Ht=2m)	-	1	25 (1")
PH-046E (ALDC motor housing)	3068055		40	3.5	35 (Ht=2m)	-	1	32 (1 1/4")
PH-101E	3005378		100	4.5	85 (Ht=3m)	1	4	40 (1 1/2")
PH-123E	3059416		125	5	150 (Ht=3m)	1	4	50 (2")
PH-251E	3118950		250	7.5	170 (Ht=5m)	1	4	65 (2 1/2")
PH-252E	3059418		250	7.5	170 (Ht=5m)	1	4	80 (3")
PH-253E	3005380		250	7.5	170 (Ht=5m)	1	4	50 (2")
PH-254E	3018860		250	15	60 (Ht=8m)	1	4	40 (1 1/2")
PH-400E	3005381	400	15.5	180 (Ht=10m)	1	4	80 (3")	
PH-401E	3005382	400	19	150 (Ht=11m)	1	4	50 (2")	
PH-1500Q	3005402	Three phase 380V 50Hz	1500	25	250 (Ht=15m)	1	5	40 (1 1/2")
PH-2200Q	3005383	2200	30	300 (Ht=20m)	1	5	40 (1 1/2")	

HiPeri

Non self-priming peripheral pump



Technical Data:

Max. fluid temperature: 60 °C

Max. Ambient temperature: 40 °C

Max. operating pressure: 6.5 bar

Permanent or intermittent operation

Max. connections per hour: 20

Suction head: up to 8m

Insulation class: 155 (F)

Protection class: IPX4

Sound-pressure level: LpA < 70dBA

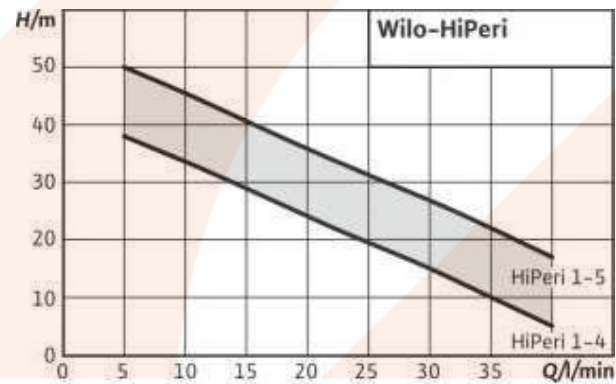
Application:

- Water distribution/boosting
- Raw water intake
- Sprinkling and spraying
- Rainwater utilisation

Standard Features:

- Easy handling due to its light weight, perfect for continuous operation
- Brass impeller for fluids up to 60 °C
- Efficiently thanks to low power consumption with maximum delivery head and maximum volume flow
- Up to 7 m negative suction head
- Expandable with electronic control of pumps Wilo-HiControl 1

Product description	Article number	Pipe Size		Mains connection	Rated Power	hp	Gross weight, approx. <i>m</i>
		Suction	Delivery				
HiPeri 1-4	4186197	25mm	25mm	1~230 V, 50 Hz	0.37 kW	0.5	5.2 kg
HiPeri 1-5	4186198	25mm	25mm	1~230 V, 50 Hz	0.55 kW	0.75	6.6 kg



PB

Inline pressure booster



Technical Data:

Flow: upto 65 LPM
Head: upto 19 m
Power: upto 400 Watt
 Available in 1 Ph

Application:

- Pressure boosting water transfer from roof tank to tap
- **Silent operation**

Standard Features:

- Automatic/manual operation
- Easy to carry, install and operate Motor built with Thermal Protector for safety
- Rust-proof casting by electric coating
- Inline installation requires less space

Selection Table

Pump Model	Article No.	Pipe Size		Power Rating		Head (m)	LPM														
		Suction mm	Delivery mm	kW	hp		0	5	10	15	20	25	30	35	40	45	50	55	60	65	
PB-088	8196049	15	15	0.1	0.13	10	9	8	7	6	5	4	1								
PB-200	8196050	25	25	0.2	0.26		16	15	14	13	12	11	10	9	6	3	1				
PB-400	8196051	40	40	0.4	0.53		20	19	18	17	16	15	14	13	12	11	10	8	6	4	

PW

Peripheral inline booster



Technical Data:

Flow: upto 40 LPM
Head: upto 45 mts
Pipe Size : 20 to 25 mm
Brass inserts

Application:

- Boosting water pressure at taps and showers
- Water supply for household use
- Water transfer for small machines and instruments
- Sprinkler systems
- Gardening and car washing

Standard Features:

- Self priming function
- Automatic operation
- Thermal protector to avoid motor burn out
- Efficient cooling for motor by specially designed cooling fan
- Easy to carry, install and operate
- **Silent operation**
- **Brass inserts gives longer durability**

Selection Table

Pump Model	Article No.	Pipe Size		Power Rating		Head (m)	LPM												
		Suction mm	Delivery mm	kW	hp		0	5	10	15	20	25	30	35	40	45			
PW-122	2809KP0233B	20	20	0.13	0.17	35	39	57	35	30	25	20	12	4	1				
PW-175	3005384	25	25	0.13	0.17		33	30	29	27	18	12	6						

FWJ / HWJ

Single pump booster (SS 304 Impeller)



Technical Data:

Flow: upto 78 LPM
Head: upto 44 m
Voltage: 1 Ph ~ 220V/415V
Float Switch: Available

Application:

Water transfer in
 → Bungalows / farm houses
 → Apartments / hostels

Standard Features:

- Stainless steel pump body and impeller
- Available with hydro pneumatic tank / electronic control for automatic operation
- **Highly efficient motor suitable for wide voltage fluctuations**
- Anti rust material
- **Silent in operation**
- Easy to carry, install and operate
- **Dry Run Protection**

Selection Table

Pump Model	Article No.	Power Rating		Pipe Size		Flow Range	Head Range	Pressure Range
		kW	hp	Suction	Delivery	LPM mm	m mm	bar
HWJ-201-EM-8	8172755	0.37	0.5	25	25	50-10	12-26	1.2 - 2.0
HWJ-202-EM-24	8048585	0.60	0.9	25	25	72-5	10-34	1.2 - 2.5
HWJ-203-EM-24	8058571	0.80	1	25	25	76-8	10-38	1.5 - 3.0
HWJ-204-EM-24	8172768	1.1	1.5	25	25	78-10	18-44	1.5 - 4.0

Pump Model	Article No.	Power Rating		Pipe Size		Flow Range	Head Range	Pressure Range
		kW	hp	Suction	Delivery	LPM mm	m mm	bar
FWJ-202-EM-FC 2	8015970	0.6	0.9	25	25	72-5	10-34	1.2 - 2.5
FWJ-203-EM-FC 2	8015971	0.8	1	25	25	76-8	10-38	1.5 - 4.0

Technical Specifications of single pump boosters FWJ are with fluid control.

HMHIL

Single pump booster (SS 304 Impeller)



Technical Data:

Flow: upto 215 LPM

Head: upto 67 m

Voltage: 1 Ph ~ 230 V, 50 Hz.

Float Switch: Available

Application:

Water boosting in

→ Bungalows / farm houses

→ Apartments / hostels

Standard Features:

- Stainless steel impeller
- Wetted parts made up of stainless steel
- Available with hydro pneumatic tank / electronic control for automatic operation
- **Highly efficient motor suitable for wide voltage fluctuations**
- **Silent in operation**
- **Dry Run Protection**

Selection Table

Pump Model	Article No.	Power Rating		Pipe Size		Pressure	Flow Range	Head Range	Pressure Range
		kW	hp	Suction mm	Delivery mm	Tank Size(Lts)	LPM	m	bar
HMHIL102-EM-24	8015689	0.37	0.5	25	25	24	8-50	18.4-8.15	0.8 -1.84
HMHIL103-EM-24	8015690	0.37	0.5	25	25	24	8-50	27.1-12.2	1.22-2.71
HMHIL104-EM-24	8015691	0.55	0.75	25	25	24	8-50	36.9-16.1	1.61-3.7
HMHIL105-EM-24	8015692	0.55	0.75	25	25	24	8-50	46.7-18.9	1.9 - 4.67
HMHIL106-EM-24	8015693	0.55	0.75	25	25	24	8-50	56.5-21.7	2.17-5.65
HMHIL302-EM-24	8015695	0.37	0.5	25	25	24	7-83	21.5-06.3	0.63-2.15
HMHIL303-EM-24	8015696	0.55	0.75	25	25	24	7-83	31.7-08.9	0.9-3.17
HMHIL303-EM-60	8124572	0.55	0.75	25	25	60	7-83	31.7-08.9	0.9-3.17
HMHIL304-EM-24	8015697	0.55	0.75	25	25	24	7-83	42.0-11.0	1.1-4.2
HMHIL304-EM-60	8124573	0.55	0.75	25	25	60	7-83	42.0-11.0	1.1-4.2
HMHIL305-EM-24	8015698	0.75	1	25	25	24	7-83	52.3-14.3	1.43-5.23
HMHIL305-EM-60	8124574	0.75	1	25	25	60	7-83	52.3-14.3	1.43-5.23
HMHIL306-EM-24	8015699	1.1	1.5	25	25	24	7-83	64.6-20.6	2.06-6.46
HMHIL306-EM-60	8048006	1.1	1.5	25	25	60	7-83	64.6-20.6	2.06-6.46
HMHIL502-EM-24	8015700	0.55	0.75	32	25	24	8-133	21.5-07.2	0.72-2.15
HMHIL503-EM-24	8015701	0.55	0.75	32	25	24	8-133	31.4-07.8	0.78-3.14
HMHIL503-EM-60	8048005	0.55	0.75	32	25	60	8-133	31.4-07.8	0.78-3.14
HMHIL503-EM-100	8124575	0.55	0.75	32	25	100	8-133	31.4-07.8	0.78-3.14
HMHIL504-EM-24	8015702	0.75	1	32	25	24	8-133	42.5-12.0	1.2-4.25

HMHIL

Single pump booster (SS 304 Impeller)

Selection Table

Pump Model	Article No.	Power Rating		Pipe Size		Pressure	Flow Range	Head Range	Pressure Range
		kW	hp	Suction mm	Delivery mm	Tank Size(Lts)	LPM	m	bar
HMHIL504-EM-60	8034755	0.75	1	32	25	60	8-133	42.5-12.0	1.2-4.25
HMHIL504-EM-100	8124576	0.75	1	32	25	100	8-133	42.5-12.0	1.2-4.25
HMHIL505-EM-24	8015703	1.1	1.5	32	25	24	8-133	55.2-19.6	1.96-5.52
HMHIL505-EM-60	8031944	1.1	1.5	32	25	60	8-133	55.2-19.6	1.96-5.52
HMHIL505-EM-100	8124577	1.1	1.5	32	25	10	8-133	55.2-19.6	1.96-5.52
HMHIL902-EM-24	8049124	0.75	1	38	32	24	13-217	21.4-09.8	0.98-2.14
HMHIL903-EM-24	8048738	1.1	1.5	38	32	24	13-217	33.2-15.2	1.52-3.32

FMHIL

Single pump booster (SS 304 Impeller)



Technical Data:

Flow: upto 215 LPM

Head: upto 62 m

Voltage: 1 Ph ~ 230 V, 50 Hz.

Application:

Water boosting in

→ Bungalows / farm houses

→ Apartments / hostels

Standard Features:

- Stainless steel impeller
- Wetted parts made up of stainless steel
- Available with hydro pneumatic tank / electronic control for automatic operation
- **Highly efficient motor suitable for wide voltage fluctuations**
- **Silent in operation**

Selection Table

Pump Model	Article No.	Power Rating		Pipe Size		Flow Range	Head Range	Pressure Range
		kW	hp	Suction mm	Delivery mm	LPM	m	bar
FMHIL102-EM-FC	8018965	0.37	0.5	25	25	8-50	18.4 - 07.9	0.80 - 1.84
FMHIL103-EM-FC	8018966	0.37	0.5	25	25	8-50	27.1 - 12.2	1.22 - 2.71
FMHIL104-EM-FC	8018967	0.55	0.75	25	25	8-50	36.9 - 16.1	1.61 - 3.69
FMHIL106-EM-FC	8018969	0.55	0.75	25	25	8-50	56.5 - 21.7	2.71 - 5.65
FMHIL302-EM-FC	8018971	0.37	0.5	25	25	7-83	21.5 - 06.3	0.63 - 2.15
FMHIL303-EM-FC	8018972	0.55	0.75	25	25	7-83	31.7 - 08.9	0.90 - 3.17
FMHIL304-EM-FC	8018973	0.55	0.75	25	25	7-83	42.0 - 11.0	1.10 - 4.2
FMHIL305-EM-FC	8018974	0.75	1	25	25	7-83	52.3 - 14.3	1.43 - 5.23
FMHIL306-EM-FC	8018975	1.1	1.5	25	25	7-83	64.6 - 20.6	2.06 - 6.46
FMHIL502-EM-FC	8018976	0.55	0.75	32	25	8-133	21.5 - 07.2	0.72 - 2.15
FMHIL503-EM-FC	8018977	0.55	0.75	32	25	8-133	31.4 - 07.8	0.78 - 3.14
FMHIL504-EM-FC	8018978	0.75	1	32	25	8-133	42.5 - 12.0	1.20 - 4.25

Wilo-HiMulti 5



Technical Data:

Flow: upto 110 LPM
Head: upto 50 mtrs
Voltage: 220V
Power: 1hp(0.75kW)
Noise level: < 50dB

Application:

→ Water supply and boosting for housing, apartment and accommodation

Standard Features:

- **Low noise level(50dB) thanks to two noise blocking covers and water cooling jacket without cooling fan**
- Corrosion resistance thanks to engineering plastic material
- Energy saving up to 33% thanks to inverter technology it automatically changes the speed based on the amount of water used
- It helps Wilo-HiMulti 5 to effectively use the energy as needed
- Completely new design with LCD screen and green button
- Various protection functions for safe and economic use
 - : Over pressure, dry running, over current, over/low voltage, blocked rotor, anti-freezing / excessive temperature protection

Model Name

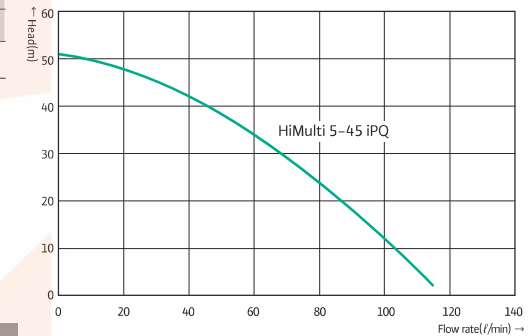
Wilo-HiMulti 5-4 5 i P Q

① ② ③ ④ ⑤

① 4	Rated flow rate : 4m ³ /hr
② 5	Number of impeller
③ i	i : Inverter
④ P	P : Self priming(Max. 8m)
⑤ Q	Q : Quiet

Model	Article no	Dimensions(mm)				
		H	W	L	A	B
HiMulti 5-45 iPQ	3121084	222	228	584	131	311

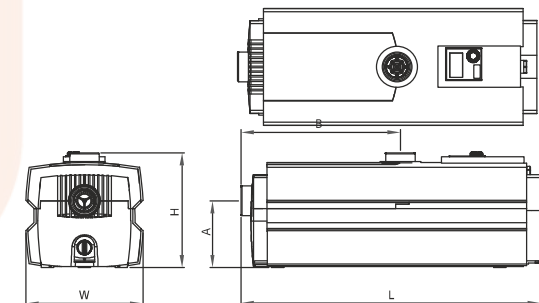
Performance Curve



Technical Data

Model	Power Source	Output (W)	Max. Head (m)	kW	hp	Max. Flow Rate (l/min)	Diameter (mm, inch)	Max. System (Allowable) Pressure (bar)	Max. Setting Pressure (bar)	*Max. Inlet Pressure (bar)	Fluid Temperature (°C)
HiMulti 5-45 iPQ	Single phase 220V 50Hz, 60Hz	750	50	0.75	1	110	32(1 1/4")	8	4.5	3	+5 ~ +35

• Direct connection to the city water is strictly prohibited.



VMHIL / VMHI

Multistage pressure booster system with VFD (SS impeller)



Technical Data:

Flow: upto 450 LPM

Head: upto 65 m

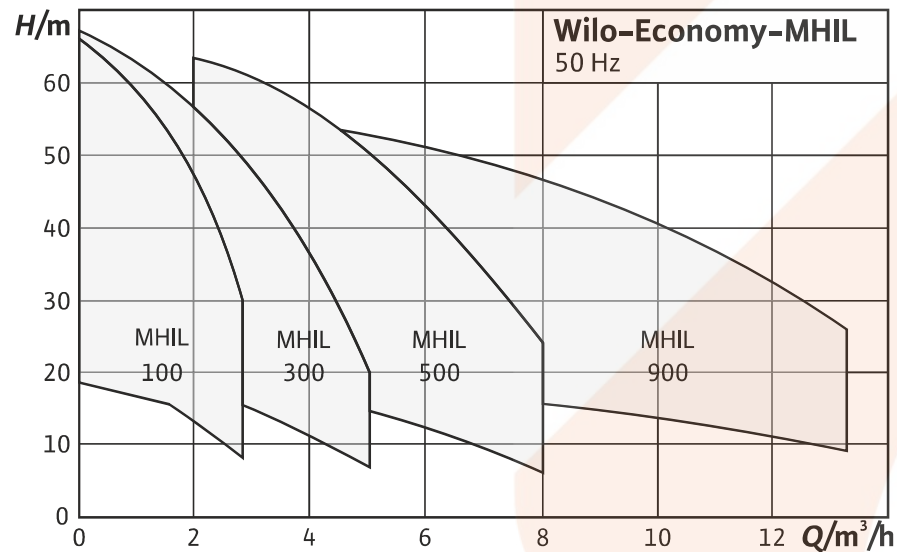
Application:

The pressure boosting pump with variable frequency drive is used to maintain the constant pressure in water supplies of

- Residential buildings
- Hotels
- Hospitals
- Water supply and distribution from a sump or a tank

Standard Features:

- Horizontal multistage stainless steel centrifugal pump with electric motor.
- Non return brass valve on delivery.
- Five way connector on delivery line.
- Pressure Transmitter and Pressure Gauge.
- Pump and Panel Mounting Base Plate.
- Factory assembled system supplied with pressure tank for ready to use.
- Control Panel with Built in VFD, built in PLC and PID functions for pumping application.
- VFD communication through RS 485 Modbus communication through RJ 45 Connector for BMS.
- Built in over voltage, under voltage, short circuit motor overload and dry run protection with float.
- Saving in electricity.
- **Silent in operation.**
- No jerk in pipe line.
- Voltage supply single phase.



MHIL/MHI-BC

Multistage Pressure Booster System



Flow: upto 430 LPM

Head: upto 65 mts

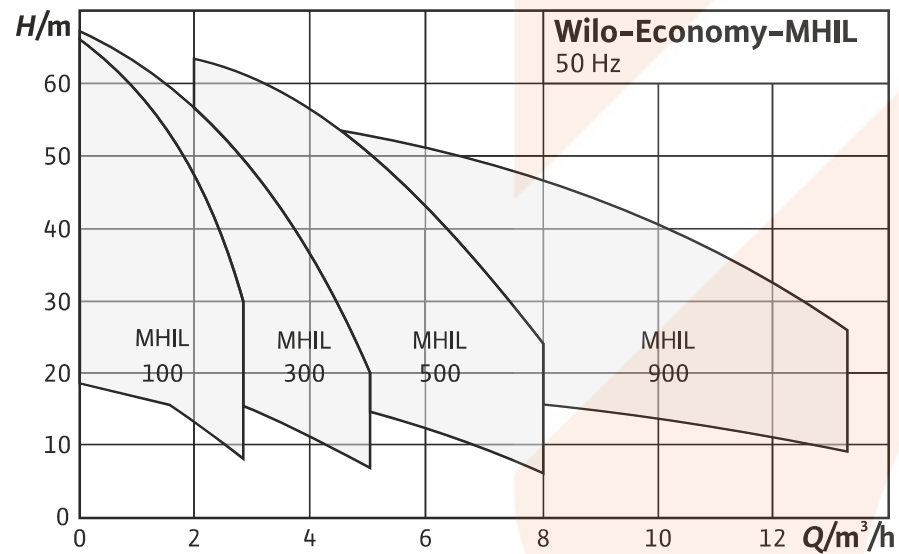
Applications

Pressure boosting in

- Bungalows
- Farm houses
- Apartments and
- Hotels
- Hospitals

Standard Features:

- Horizontal multistage stainless steel centrifugal pump with electric motor
- Factory assembled system along with control panel supplied for ready to use
- Automatic pump cascading and alteration
- Built in over voltage, under voltage, short circuit motor overload and dry run protection with float
- Easy to install and operate



MHIL-BC

Multistage Pressure Booster System

Selection Table- Three Phase

Pump Model	Article No.	Power Rating		LPM m ³ /hr	8	17	25	33	42	50	58
		kW	hp								
CO 2MHIL105 BC	8058572	2X0.55	2X0.75	Total Head (m)	47	44	40	34	28	20	20
CO 2MHIL106 BC	8048691	2X0.55	2X0.75		57	53	47	40	32	22	22

Suction Size 25mm / Delivery Size 25mm

Pump Model	Article No.	Power Rating		LPM m ³ /hr	17	33	50	67	83	100
		kW	hp							
CO 2MHIL302 BC	8014966	2X0.37	2X0.5	Total Head (m)	21	19	15	11	6	1
CO 2MHIL303 BC	8014968	2X0.55	2X0.75		32	27	22	16	9	1
CO 2MHIL304 BC	8014970	2X0.55	2X0.75		40	35	28	21	11	1
CO 2MHIL305 BC	8014972	2X0.75	2X1		50	44	36	26	14	2
CO 2MHIL306 BC	8014974	2X1.1	2X1.5		62	56	47	36	21	3

Suction Size 25mm / Delivery Size 25mm

Pump Model	Article No.	Power Rating		LPM m ³ /hr	17	33	50	67	83	100	117	133	150
		kW	hp										
CO 2MHIL502 BC	8014976	2X0.55	2X0.75	Total Head (m)	21	20	19	17	15	13	10	7	4
CO 2MHIL503 BC	8014978	2X0.55	2X0.75		31	29	27	24	21	17	13	8	2
CO 2MHIL504 BC	8014980	2X0.75	2X1		42	40	37	34	29	25	19	12	5
CO 2MHIL505 BC	8014982	2X1.1	2X1.5		54	52	49	46	41	35	28	19	8

Suction Size 32mm / Delivery Size 25mm

Pump Model	Article No.	Power Rating		LPM m ³ /hr	33	67	100	133	150	167	183	200	217
		kW	hp										
CO 2MHIL902 BC	8014986	2X0.75	2X1	Total Head (m)	21	20	18	16	15	14	13	11	10
CO 2MHIL903 BC	8014988	2X1.1	2X1.5		33	31	29	27	25	23	21	18	15

Suction Size 38mm / Delivery Size 25mm

MHI-BC

Multistage Pressure Booster System

Selection Table

Pump Model	Article No.	Power Rating		LPM m ³ /hr	16	25	33	50	67	83	96
		kW	hp		1	1	2	3	4	4	6
CO 2MHI202 BC	8014932	2X0.55	2X0.75	Total Head (m)	21	20	18	15	11	6	1
CO 2MHI203 BC	8014934	2X0.55	2X0.75		30	28	26	21	15	8	1
CO 2MHI204 BC	8014936	2X0.55	2X0.75		41	38	36	29	22	13	4
CO 2MHI205 BC	8014938	2X0.75	2X1		55	52	49	42	33	23	10
CO 2MHI206 BC	8014940	2X1.1	2X1.5		65	62	58	49	38	24	10

Suction Size 25mm / Delivery Size 25mm

Pump Model	Article No.	Power Rating		LPM m ³ /hr	17	33	50	67	83	100	117	133	147
		kW	hp		1	2	3	4	5	6	7	8	9
CO 2MHI402 BC	8014942	2X0.55	2X0.75	Total Head (m)	22	21	20	19	17	15	12	9	40
CO 2MHI403 BC	8014944	2X0.55	2X0.75		34	33	31	29	26	23	19	14	82
CO 2MHI404 BC	8014946	2X0.75	2X1		45	44	42	39	35	31	26	19	11
CO 2MHI405 BC	8014948	2X1.1	2X1.5		57	56	54	51	47	42	36	27	17
CO 2MHI406 BC	8014950	2X1.5	2X2		69	68	65	61	57	51	44	34	22

Suction Size 32mm / Delivery Size 25mm

Pump Model	Article No.	Power Rating		LPM m ³ /hr	33	67	100	133	167	200	218	233
		kW	hp		2	4	6	8	10	12	13	14
CO 2MHI802 BC	8014952	2X0.75	2X1	Total Head (m)	23	21	20	18	15	11	8	6
CO 2MHI803 BC	8014954	2X1.1	2X1.5		35	34	31	28	23	18	15	12
CO 2MHI804 BC	8014956	2X1.5	2X2		47	44	42	38	32	24	19	15
CO 2MHI805 BC	8014958	2X1.85	2X2.5		58	55	51	46	39	30	25	19

Suction Size 38mm / Delivery Size 32mm

Pump Model	Article No.	Power Rating		LPM m ³ /hr	83	166	250	333	416	450
		kW	hp		5	10	15	20	20	27
CO 2MHI1602/6 BC	8014960	2X1.5	2X2.02	Total Head (m)	22	21	18	14	6	3
CO 2MHI1603/6 BC	8014962	2X2.2	2X3		34	31	27	21	11	6

Suction Size 50mm / Delivery Size 38mm

WJ

Self-priming Jet pump (SS 304 body)



Technical Data:

Flow: upto 76 LPM
Head: upto 44 m
 Available in single and three phase

Application:

- Pumping water from wells
- Filling, pumping empty, transferring by pumping, irrigation and sprinkling
- As emergency pump for overflows farms.
- Drip irrigation
- Chemical dosing*

Standard Features:

- Stainless steel pump body
- Stainless steel impeller
- **Highly efficient motor suitable for wide voltage fluctuations**
- Anti rust material
- Component parts insensitive to corrosion
- Easy to carry, install and operate

Selection Table

Pump Model	Article No.	Pipe Size		Power Rating		Discharge in LPM	Head (m)														
		Suction mm	Delivery mm	kW	hp		10	12	14	18	20	22	24	26	30	34	38	42	44		
WJ-201-X-EM	8167867	25	25	0.37	0.5				50	46	34	25	20	17	10						
WJ-202-EM-MOD	4081226	25	25	0.60	0.9		72	68	62	48	40	36	30	24	14	5					
WJ-203-EM-MOD	4081227	25	25	0.75	1		76	74	72	65	60	56	45	40	28	18	8				
WJ-204-EM-MOD	4144402	25	25	1.1	1.5					78	76	72	68	64	48	32	22	13	10		

Pump Model	Article No.	Pipe Size		Power Rating		Discharge in LPM	Head (m)														
		Suction mm	Delivery mm	kW	hp		10	12	14	18	20	22	24	26	30	34	38	42	44		
WJ-201-X-DM	8167868	25	25	0.37	0.5				50	46	34	25	20	17	10						
WJ-203-DM-MOD	8164410	25	25	0.75	1		76	74	72	65	60	56	45	40	28	18	8				
WJ-204-DM-MOD	8164411	25	25	1.1	1.5					78	76	72	68	64	48	32	22	13	10		

EM-single phase & DM- Three phase

MHIL

Multistage pumpset (SS 304 impeller) Available in single and three phase



Technical Data:

Flow: Upto 215 LPM

Head: Upto 62 m

Temp.: -15°C to + 90°C

Max. Operating Pressure: 10 bar

Max. Inlet pressure: 6 bar

Application:

Water supply and pressure boosting

→ Commerce and industry

→ Washing and spraying systems

→ Rainwater utilisation

→ Cooling and cold water circuits

Standard Features:

- Stainless steel impeller
- Wetted parts made up of stainless steel
- **Highly efficient motor suitable for wide voltage fluctuations**
- **Silent in operation**
- Easy to carry, install and operate

Selection Table - Single Phase

Pump Model	Article No.	Power Rating		LPM m ³ /hr	0	8	17	25	33	42	50	58
		kW	hp									
MHIL102	8011403	0.37	0.5	Head (m)	20	19	18	16	14	11	8	8
MHIL103	8011404	0.37	0.5		29	27	26	24	21	17	13	13
MHIL104	8011405	0.55	0.75		39	38	35	32	28	23	16	16
MHIL105	8011406	0.55	0.75		50	47	44	40	34	28	20	20
MHIL106	8011407	0.55	0.75		61	57	53	47	40	32	22	22
MHIL107	8011408	0.55	0.75		67	64	59	53	45	35	24	24

Pipe size - Suction/Delivery - 25mm (1")

Pump Model	Article No.	Power Rating		LPM m ³ /hr	0	17	33	50	67	83	100
		kW	hp								
MHIL302	8011409	0.37	0.5	Head (m)	22	21	19	15	11	6	1
MHIL303	8011410	0.55	0.75		33	32	27	22	16	9	1
MHIL304	8011411	0.55	0.75		43	40	35	28	21	11	1
MHIL305	8011412	0.75	1		55	50	44	36	26	14	2
MHIL306	8011413	1.1	1.5		67	62	56	47	36	21	3

Pipe size - Suction/Delivery - 25mm (1")

MHIL

Multistage pumpset (SS 304 impeller)

Selection Table – Single Phase

Pump Model	Article No.	Power Rating		LPM	0	17	33	50	67	83	100	117	133	150
		kW	hp	m ³ /hr	0.0	1.0	2.0	3.0	4.0	5.0	6.0	7.0	8.0	9.0
MHIL502	8011414	0.55	0.75	Head (m)	22	21	20	19	17	15	13	10	7	4
MHIL503	8011415	0.55	0.75		32	31	29	27	24	21	17	13	8	2
MHIL504	8011416	0.75	1		44	42	40	37	34	29	25	19	12	5
MHIL505	8011417	1.1	1.5		56	54	52	49	46	41	35	28	19	8

Pipe size – Suction – 32mm (1¼") & Delivery – 25mm (1")

Pump Model	Article No.	Power Rating		LPM	0	33	67	100	133	150	167	183	200	217
		kW	hp	m ³ /hr	0.0	2.0	4.0	6.0	8.0	9.0	10	11	12	13
MHIL902	8011419	0.75	1	Head (m)	22	21	20	18	16	15	14	13	11	10
MHIL903	8011420	1.1	1.5		34	33	31	29	27	25	23	21	18	15

Pipe size – Suction – 38mm (1½") & Delivery – 32mm (1¼")

Selection Table – Three Phase

Pump Model	Article No.	Power Rating		LPM	0	8	17	25	33	42	50	58
		kW	hp	m ³ /hr	0.0	0.5	1.0	1.5	2.0	2.5	3.0	3.5
MHIL102	8048314	0.37	0.5	Head (m)	20	19	18	16	14	11	8	8
MHIL103	8048315	0.37	0.5		29	27	26	24	21	17	13	13
MHIL104	8072235	0.55	0.75		39	38	35	32	28	23	16	16
MHIL105	8072236	0.55	0.75		50	47	44	40	34	28	20	20
MHIL106	8072237	0.55	0.75		61	57	53	47	40	32	22	22
MHIL107	8072238	0.55	0.75		67	64	59	53	45	35	24	24

Pipe size – Suction/Delivery – 25mm (1")

MHIL

Multistage pumpset (SS 304 impeller)

Selection Table – Three Phase

Pump Model	Article No.	Power Rating		LPM	0	17	33	50	67	83	100
		kW	hp		m ³ /hr	0.0	1.0	2.0	3.0	4.0	5.0
MHIL302	8048316	0.37	0.5	Head (m)	22	21	19	15	11	6	1
MHIL303	8072240	0.55	0.75		33	32	27	22	16	9	1
MHIL304	8072241	0.55	0.75		43	40	35	28	21	11	1
MHIL305	8072242	0.75	1		55	50	44	36	26	14	2
MHIL306	8072243	1.1	1.5		67	62	56	47	36	21	3

Pipe size – Suction/Delivery – 25mm (1")

Pump Model	Article No.	Power Rating		LPM	0	17	33	50	67	83	100	117	133	150
		kW	hp		m ³ /hr	0.0	1.0	2.0	3.0	4.0	5.0	6.0	7.0	8.0
MHIL502	8072244	0.55	0.75	Head (m)	22	21	20	19	17	15	13	10	7	4
MHIL503	8072245	0.55	0.75		32	31	29	27	24	21	17	13	8	2
MHIL504	8072246	0.75	1		44	42	40	37	34	29	25	19	12	5
MHIL505	8072247	1.1	1.5		56	54	52	49	46	41	35	28	19	8

Pipe size – Suction – 32mm (1¼") & Delivery – 25mm (1")

Pump Model	Article No.	Power Rating		LPM	0	33	67	100	133	150	167	183	200	217
		kW	hp		m ³ /hr	0.0	2.0	4.0	6.0	8.0	9.0	10	11	12
MHIL902	8072248	0.75	1	Head (m)	22	21	20	18	16	15	14	13	11	10
MHIL903	8072249	1.1	1.5		34	33	31	29	27	25	23	21	18	15

Pipe size – Suction – 38mm (1½") & Delivery – 32mm (1¼")

MHI

Multistage pumpset (SS 304 impeller)



Technical Data:

Flow: upto 400 LPM

Head: upto 70 m

Temp.: -15°C to +90°CMax.

Operating Pressure: 10 bar

Max. Inlet pressure: 6 bar

Available in single and three phase

Standard Features:

- All pump components made up of stainless steel
- **Highly efficient motor suitable for wide voltage fluctuations**
- **Silent in operation**
- Light and compact construction
- Also available in SS 316 on demand

Application:

- Pumping water from wells
- Filling, pumping empty, transferring by pumping, irrigation and sprinkling
- As emergency pump for overflows.

Selection Table – Three Phase – EPDM – Mechanical Seal

Pump Model	Article No.	Power Rating		LPM m ³ /hr	Head (m)	0	16	25	33	50	67	83	96
		kW	hp			0	1	1	2	3	4	5	6
MHI 202	8010029	0.55	0.75		22	21	20	18	15	11	6	1	
MHI 203	8010030	0.55	0.75		32	30	28	26	21	15	8	1	
MHI 204	8010031	0.55	0.75		43	41	38	36	29	22	13	4	
MHI 205	8010032	0.75	1		56	55	52	49	42	33	23	10	
MHI 206	8010033	1.1	1.5		68	65	62	58	49	38	24	10	

Pipe size – Suction/Delivery – 25mm (1")

Pump Model	Article No.	Power Rating		LPM m ³ /hr	Head (m)	0	17	33	50	67	83	100	117	133	147
		kW	hp			0	1	2	3	4	5	6	7	8	9
MHI 402	8010034	0.55	0.75		22	21	20	19	17	15	12	9	4	0	
MHI 403	8010035	0.55	0.75		34	33	31	29	26	23	19	14	8	2	
MHI 404	8010036	0.75	1		45	44	42	39	35	31	26	19	11	2	
MHI 405	8010037	1.1	1.5		57	56	54	51	47	42	36	27	17	7	
MHI 406	8010038	1.5	2		69	68	65	61	57	51	44	34	22	8	

Pipe size – Suction – 32mm (1¼") & Delivery – 25mm (1")

MHI

Multistage pumpset (SS 304 impeller)

Selection Table - Three Phase - EPDM - Mechanical Seal

Pump Model	Article No.	Power Rating		LPM	0	33	67	100	133	167	200	218	233
		kW	hp		m ³ /hr	0	2	4	6	8	10	12	13
MHI 802	8010040	0.75	1	Head (m)	24	23	21	20	18	15	11	8	6
MHI 803	8010041	1.1	1.5		36	35	34	31	28	23	18	15	12
MHI 804	8010042	1.5	2		48	47	44	42	38	32	24	19	15
MHI 805	8010043	1.85	2.5		60	58	55	51	46	39	30	25	19

Pipe size - Suction - 38mm (1½") & Delivery - 32mm (1¼")

Pump Model	Article No.	Power Rating		LPM	0	83	166	250	333	416	450
		kW	hp		m ³ /hr	0	5	10	15	20	25
MHI 1602	8010045	1.5	2	Head (m)	24	22	21	18	14	6	3
MHI 1603	8010046	1.85	2.5		36	34	31	27	21	11	6

Pipe size - Suction - 50mm (2") & Delivery - 38mm(1½")

MHI

Multistage pumpset (SS 316 impeller)

Selection Table – Three Phase – SS 316 L+ Viton

Pump Model	Article No.	Power Rating		LPM	0	16	25	33	50	67	83	96
		kW	hp		m ³ /hr	0	1	1	2	3	4	5
MHI 202	8010048	0.55	0.75	Head (m)	22	21	20	18	15	11	6	1
MHI 203	8010049	0.55	0.75		32	30	28	26	21	15	8	1
MHI 204	8010050	0.55	0.75		43	41	38	36	29	22	13	4
MHI 205	8010051	0.75	1		56	55	52	49	42	33	23	10
MHI 206	8010052	1.1	1.5		68	65	62	58	49	38	24	10

Pipe size – Suction/Delivery – 25mm (1")

Selection Table – Three Phase – Viton

Pump Model	Article No.	Power Rating		LPM	0	17	33	50	67	83	100	117	133	147
		kW	hp		m ³ /hr	0	1	2	3	4	5	6	7	8
MHI 402	8010053	0.55	0.75	Head (m)	22	21	20	19	17	15	12	9	4	0
MHI 403	8010054	0.55	0.75		34	33	31	29	26	23	19	14	8	2
MHI 404	8010055	0.75	1		45	44	42	39	35	31	26	19	11	2
MHI 405	8010056	1.1	1.5		57	56	54	51	47	42	36	27	17	7
MHI 406	8010057	1.5	2		69	68	65	61	57	51	44	34	22	8

Pipe size – Suction – 32mm (1¼") & Delivery – 25mm (1")

Pump Model	Article No.	Power Rating		LPM	0	33	67	100	133	167	200	218	233
		kW	hp		m ³ /hr	0	2	4	6	8	10	12	13
MHI 802	8010059	0.75	1	Head (m)	24	23	21	20	18	15	11	8	6
MHI 803	8010060	1.1	1.5		36	35	34	31	28	23	18	15	12
MHI 804	8010061	1.5	2		48	47	44	42	38	32	24	19	15
MHI 805	8010062	1.85	2.5		60	58	55	51	46	39	30	25	19

Pipe size – Suction – 38mm (1½") & Delivery – 32mm (1¼")

WROX

Vertical Inline Pump



Design

Non-self-priming multistage pump

Application

- Boiler Feed
- Industrial Circulation System
- Process Engineering
- Cooling Water Circulation Systems
- Dust Separation Systems
- RO – Domestic / Industrial Systems
- Industrial Washing M/C
- Car & Bike Washing Systems
- Rail Coach Cleaning

Standard Features:

- All parts that come in contact with the fluid are made of stainless steel 1.4301 (AISI 304) or 1.4404 (AISI 316 L)
- Stainless steel pump in inline design
- Version: PN25 with round flange
- IEC standard motor

Technical data Wilo-WROX

	Wilo-WROX			
	1	2	4	8
Approved fluids				
Potable water, heating water, process water	•	•	•	•
Condensate	•	•	•	•
Water/glycol mixtures (max. 40 %; with admixtures exceeding 10 %, the pumping data must be checked)	•	•	•	•
Other low viscous fluids (without abrasive or long-fibre constituents, provided they do not corrode the materials used)	•	•	•	•
Power				
Max. volume flow [m ³ /h]	3.0	5.0	8.0	14.0
Max. delivery head [m]	230	230	210	230
Fluid temperature	-15°C..120°C			
Max. ambient temperature	40	40	40	40
Operating pressure	25	25	25	25
Inlet pressure	10	10	10	10
Nominal speed	2950			
Motor				
Mains connection 3~ (permitted voltage tolerance +/- 10%)	415V, 50Hz	415V, 50Hz	415V, 50Hz	415V, 50Hz
Insulation class	F	F	F	F
Protection class	IP55	IP55	IP55	IP55
Connections				
Nominal diameter of pipe connections on suction side	-	-	-	-
Nominal diameter of pipe connections on pressure side	-	-	-	-
Flange connections DN Size	Dn25	Dn25	Dn25	DN25
Materials				
Impeller (standard)	SS304 / SS316L	SS304 / SS316L	SS304 / SS316L	SS304 / SS316L
Stage chambers	SS304 / SS316L	SS304 / SS316L	SS304 / SS316L	SS304 / SS316L
Pump Casing	CI / SS316L	CI / SS316L	CI / SS316L	CI / SS316L
Pump shaft	SS304 / SS316L	SS304 / SS316L	SS304 / SS316L	SS304 / SS316L
Mechanical Seal	EPDM / Viton	EPDM / Viton	EPDM / Viton	EPDM / Viton
Housing Pipe	SS304 / SS316L	SS304 / SS316L	SS304 / SS316L	SS304 / SS316L
Pump Base	CI (EN-GJL-250)	CI (EN-GJL-250)	CI (EN-GJL-250)	CI (EN-GJL-250)

TWI 5

Multistage Submersible pumpset (SS 304)



Technical Data:

Flow: upto 266 LPM

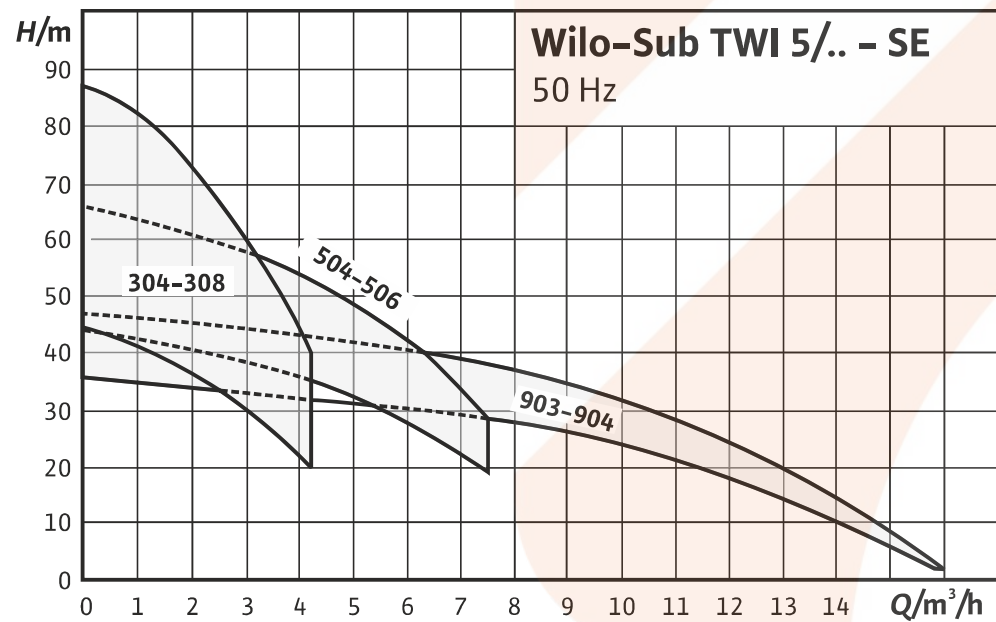
Head: upto 88 m

Application:

- Pumping clear water from
- Well
- Rainwater storage tanks and vessels
- Irrigation, sprinkling and pumping out clear water
- Water supply
- Rainwater utilisation

Standard Features:

- Easy installation and commissioning thanks to ready-to-plug delivery including all accessories
- Thermal motor protection
- Pump (housing, stages, impellers) made entirely of stainless steel
- The self-cooling motor also enables the provision outside the water
- Bottom suction – low dead stock of water in tank
- Motors are VFD compatible
- Can be used as booster



TWI 5

Multistage Submersible pumpset (SS 304)

Selection Table

Pump Model	Article No.	Power Rating		Rated Current (A)	Discharge Dia. (mm)	Total Head (m)	Discharge (LPM)						
		kW	hp				13	20	30	67	80	87	
TWI5-304EM	4104118	0.55	0.75	4.5	32	20	42	41	37	22	15	11	
TWI5-306EM	4104119	0.75	1	5.6	32		61	58	52	30	19	13	
TWI5-308EM	4104120	1.1	1.5	7.4	32		83	80	73	44	30	21	
TWI5-306DM	4104123	0.75	1	2.3	32		61	58	52	30	19	13	
TWI5-308DM	4104124	1.1	1.5	2.7	32		83	80	73	44	30	21	
TWI5-504EM	4144950	0.75	1	5.2	32	25	42	40	35	30	25	12	
TWI5-506EM	4144952	1.1	1.5	7.9	32		63	61	55	46	39	18	
TWI5-903EM	4104121	0.75	1	7.2	32	33	34	32	29	24	18	6	
TWI5-904EM	4104122	1.1	1.5	10.1	32		45	43	39	32	25	9	
TWI5-903DM	4104125		0.75	1	2.5		32	34	32	29	24	18	
TWI5-904DM	4104126		1.5	2	3.2		32	45	43	39	32	25	

EM - 1 Ph
DM - 3 Ph

PD 300

De-watering (Polypropylene) pump



Technical Data:

Flow: upto 160 LPM

Head: upto 7.5 m

Phase: Single

Voltage: 230v 50hz

Application:

- Clean public bath, water tanks
- Building basement, drainage of handy sewage facility
- Drainage to prevent flooding for small places

Standard Features:

- Lower residual water level
- Smaller motor size
- Auto control by pressure sensor
- Anti rust material
- Component parts insensitive to corrosion

Selection Table

Pump Model	Article No.	Power Rating		Phase	Sync. Speed (rpm)	Pipe Size (mm)	Free Passage (mm)	Discharge in LPM	Total Head (m)					
		kW	hp						0	2	3	4	5	6
PD-300	3041144	0.3	0.5	1	2800	32	10		160	140	125	100	70	

TMW

De-watering (Polypropylene) Pump



Technical Data:
Flow: upto 220 LPM
Head: upto 10 mts
Solid passage: upto 10 mm

Application:

- Dewatering of waste water in basements, sumps, bungalows
- Flood control
- Dewatering at construction sites.

Standard Features:

- Constantly clean pump due to patented integrated turbulator (TMW)
- Minimal residual water level of 2 mm (TMR)
- For aggressive fluids (HD version)
- With float switch (A version)
- Incl. hose connection and 10 m cable

Selection Table

Pump Model	Article No.	Power Rating		Phase	Sync. Speed (rpm)	Pipe Size (mm)	Free Passage (mm)	Discharge in LPM	Total Head (m)								
		kW	hp						0	2	3	4	5	6	7	8	9
TMW 32/11	4048414	0.55	0.75	1	2800	32	10		240	215	200	180	165	150	120	100	70

Wilo-Initial Drain & Waste

Submersible (Polypropylene) Pump



Technical Data:
Flow: upto 235 LPM
Head: upto 8 mts
Power: upto 0.75 kW (1hp)
Voltage: 230 V
Phase: Single
Max. immersion depth: 5 m

Material of Construction:
Pump housing: PP
Impeller: PA6 GF30
Shaft: AISI 416
Motor housing: Fe 370 Galvanized

Application:

- Drainage of clear or slightly dirty water, for domestic use
- Lifting of waste water even with suspended solids, for domestic use

Standard Features:

- Pump installation in vertical position with horizontal delivery port.
- Pumps are delivered with elbow for vertical delivery port.
- Pressure Port: G1½"
- Cable length: 10m
- Protection class IP68 (up to 5 meters immersed)
- Temperature range: +5 to +35°C
- Maximum number of starts per hour: 60
- Density of the fluid: 1 to 1.06 Kg/dm³
- PH of the fluid: 6 to 8
- Minimum pumping level: Drain/Waste - 20 mm / 40 mm
- No non return valve

Selection Table

Pump Model	Article No.	Power Rating		Free Passage (mm)	Discharge in LPM	Total Head (m)								
		kW	hp			2	3	4	5	6	7	8		
INITIAL DRAIN 10-7	4263607	0.37	0.5	5	200	185	170	115	100	50				
INITIAL WASTE 14-9	4263608	0.75	1	20		235	200	185	150	100	70			

INITIAL DRAIN 10-7 / INITIAL WASTE 14-9 Pipe Size Suction 40mm / Delivery 40mm

Wilo-Striker

Submersible (Cast Iron) Pump



Technical Data:
Sealing arrangement: Mechanical Seal Plus Oil Chamber
Solid Handling: 35 mm
Float Switch: Available
Delivery Size: 50 mm
Voltage band: 240 Volt
Coating: CED
Cable Length: 5 mtr

Material of Construction:

Motor body: Cast Iron
Impeller: Vortex Type
Rotor: Copper

Application:

- Sewage disposal from residential buildings
- Commercial buildings suspended
- Industry
- Small hospitals

Standard Features:

- Robust & more reliable
- High discharge with lower current consumption
- Longer durability
- Negligible chance of water entering the motor
- Free ball passage
- Better Protection
- Standard application
- Standard Voltage Standard application
- Protection from Rusting
- Easy to connect to powerSource

Selection Table - Single Phase

Pump Model	Article No.	Power Rating		Pipe Size	Solid Passage (mm)	Head (mtr)	Total Head (m)									
		kW	hp				2	4	6	8	10	12	14	16	18	
Striker 50/CI-DP-98/0.37-1-230-50-2-DOL	8249991	0.37	0.5	50	35	Flow (LPM)	250	210	190	130	20					
Striker 50/CI-DP-106/0.75-1-230-50-2-DOL	8249992	0.75	1	50	35		330	280	220	150	80					
Striker 50/CI-DP-121/1.5-1-230-50-2-DOL	8249993	1.5	2	50	35		420	400	350	300	250	200	120	50		

FAS / FAC

De-watering pump



Technical Data:

Flow: upto 1550 LPM
Head: upto 30 m
Solid passage: upto 56 mm
Cable Length: 5 mts

Material of construction:

Pump body: Cast Iron
Impeller: Cast Iron
Motor body: Stainless Steel

Application:

- Dewatering from residential buildings
- Commercial buildings
- Industry
- Hospitals

Standard Features:

- Attached float switch (A-model) enables easy operation
- Robust high efficiency motor
- Stainless steel motor body with IP 68 protection
- AC thermal motor protection
- Integrated motor control for current overload and high temperature
- Easy to carry and handle

Selection Table - Single Phase

Pump Model	Article No.	Power Rating		Pipe Size (mm)	Solid Passage (mm)		Total Head (m)							
		kW	hp				3	5	8	10	15	20		
FAS50/12-FEM-A	8052373	0.37	0.5	50	10	Discharge in LPM	180	100	40	20				
FAS50/15-FEM-A	8052378	0.75	1	50	10		330	300	235	180	20			

Selection Table - Three Phase

Pump Model	Article No.	Power Rating		Pipe Size (mm)	Solid Passage (mm)		Total Head (m)								
		kW	hp				3	5	8	10	15	20	25	30	
FAS-N80/21-DDM	8233184	1.5	2	80	11	Discharge in LPM	680	630	530	480	300	100			
FAS-N50/30-DDM	8233183	2.2	3	50	11		525	480	465	380	300	190	25		
FAS-N80/26-DDM	8233185	2.2	3	50	11		765	740	640	570	445	270			

Pump Model	Article No.	Power Rating		Pipe Size (mm)	Solid Passage (mm)		Total Head (m)															
		kW	hp				8	10	12	14	16	18	20	22	24	26	28	30	32	34	36	38
FAC 80/28-F	8045898	3.7	5	80	15	Discharge in LPM	1250	1200	1170	1110	1050	1000	950	900	850	750	650	500	200	200		
FAC100/33-F	8052408	5.5	7.5	100	15		1550	1500	1475	1450	1400	1350	1300	1200	1150	1075	1000	900	800	700	600	400

Rexa/MTC Cutter pumpset



Technical Data:

Flow: upto 350 LPM

Head: upto 36 m

Power: upto 3.9 kW (5hp)

Voltage: 230 V / 400 V

Phase: Single / Three

Max. immersion depth: 20 m

Cable Length: 10 mts

Material of construction

Shaft: SS

Impeller & Casing: CI

Cutter: SS 316

Application:

- Pumping of:
 - Sewage containing faeces
 - Pre-cleaned sewage without faeces and long fibre components
 - Wasterwater
 - Hotel waste

Standard Features:

- High reliability through ATEX approval and longitudinally watertight cable inlet (CUT GE...)
- High operational reliability through spherically-formed macerator with pulling cut
- Long service life through a high-quality motor seal with two independent mechanical seals and optional pencil electrode for sealing chamber control

Selection Table

Pump Model	Article No.	Power Rating		Pipe Size (mm)	Discharge in LPM	Total Head (m)												
		kW	hp			2	4	8	12	14	16	20	24	28	32	36		
Drain MTC40 F 16.15/7/1-230-50*	2081260	0.7	0.9	40		233	217	183	133	85								
Drain MTC40 F 16.15/7/3-400-50	2081261	0.7	0.9	40		233	217	183	133	85								
Drain MTC32 F 39.16/30/3-400-50-2	2081263	3.5	4.6	32									267	233	167	83		
Rexa PRO-S03-112A/21T011X540/O	6093105	1.10	1.50	32		350	333	300	250	220	183	117	33					
Rexa PRO-S03-123A/21T015X540/O	6093104	1.50	2.00	32							317	283	233	133	50			

* Single phase
Remaining Three phase

Rexa MINI

Cutter pumpset



Technical Data:

Flow: upto 350 LPM

Head: upto 36 m

Power: upto 3.9 kW (5hp)

Voltage: 230 V / 400 V

Phase: Single / Three

Max. immersion depth: 20 m

Cable Length: 10 mts

Material of construction

Shaft: SS

Impeller & Casing: CI

Cutter: SS 316

Application: Pumping of:

- Sewage containing faeces
- Pre-cleaned sewage without faeces and long fibre components
- Wasterwater
- Hotel waste

Standard Features:

- High reliability through ATEX approval and longitudinally watertight cable inlet (CUT GE...)
- High operational reliability through spherically-formed macerator with pulling cut
- Long service life through a high-quality motor seal with two independent mechanical seals and optional pencil electrode for sealing chamber control

Selection Table

Pump Model	Article No.	Power Rating		Pipe Size (mm)	Solid Passage	Discharge in LPM	Total Head (m)								
		kW	hp				3	4	5	6	7	8	9	10	12
REXA MINI3-V04.09/M05-523/A-5M	3094002	0.5	0.75	40	40	303 350 350	275	242	205	159	102				
REXA MINI3-V04.11/M06-523/A-5M	3094005	0.6	0.9	40	40		330	290	265	222	170	126	53		
REXA MINI3-V04.13/M08-523/A-5M	3094007	0.75	1	40	40		330	308	280	250	210	177	58		

Wilco Mini Crown/Prince/Royal/Emperor

Self-priming mini pumpset



Technical Data:

Flow: upto 70 LPM
Head: upto 54 m
Power: upto 1.1kW(1.5hp)
Voltage: 220V/415V

Material of construction:

Casing : Cast Iron
Impeller : Brass
Motor Body : Aluminium Extruded
Winding : 100% Copper

Application:

Water transfer in:
 → Bungalows
 → Farm houses
 → Apartments
 → Industry Use
 → Softener
 → RO Application

Standard Features:

- Suitable for wide band of voltage i.e. 160 volts to 250 volts
- Life long permanent lubricated bearings
- Built in thermal over-load protection
- TEFC, capacitor start & run Motor, insulation class B
- High suction lift upto 7.3 m (at 220 V, single phase)
- High quality aluminium extruded motor body
- Direction of rotation – anticlockwise when viewed from drive end
- Low life cycle cost – low maintenance, low power consumption and easy motor rewinding
- Dynamically balanced Aluminum rotor for precision

Selection Table

Pump Model	Article No.	Motor Rating		Suction Size (mm)	Delivery Size (mm)	Flow (LPM)	Total Head (m)															
		hp	kW				6	12	18	22	24	26	28	30	34	36	45	48	50	54	55	
Wilco Crown Neo 05	8249636	0.5	0.37	25	25	Flow (LPM)	30	21	13	4												
Wilco Crown Neo 10	8249637	1	0.75	25	25		45	35	30	26	24	22	18	15	4							
Wilco Prince Neo 05*	8249668	0.5	0.37	25	25		30	21	13	4												
Wilco Prince Neo 10*	8249669	1	0.75	25	25		45	35	30	26	24	22	18	15	4							
Wilco Royal Neo 03*	8249959	0.25	0.19	19	19		28	21	15													
Wilco Royal Neo 05*	8249889	0.5	0.37	25	25		40	30	24			19		13								
Wilco Royal Neo 10*	8249890	1	0.75	25	25		54	45	37			26		22		15	2					
Wilco Royal Neo 05_3ph*	8249969	0.5	0.37	25	25		40	30	24			19		13								
Wilco Royal Neo 10_3ph*	8249970	1	0.75	25	25		54	45	37			26		22		15	2					
Wilco Mini Emperor 15	8224519	1.5	1.1	25	25				70		62		56	53		46		32			25	

*SKF bearing

Wilco Mini Emperor Pump

Solution for your water transfer



Technical Data:

Flow: upto 45 LPM
Head: upto 32 m
Power: upto 0.75 kW (1.0hp)
Voltage: 180 to 250 V

Material of construction:

Casing : Cast Iron
Impeller : Brass
Motor Body : Cast Iron

Application:

Water transfer in:
 → Bungalows
 → Farm houses
 → Apartments
 → Industry Use
 → Agriculture
 → Softener
 → RO Application

Standard Features:

- Suitable for wide band of voltage i.e. 180 volts to 250 volts
- Robust and more reliable
- High discharge with lower current consumption
- High quality Cast Iron extruded motor body
- Standard plus agriculture applic action
- Dynamically balanced Aluminum rotor for precision

Selection Table

Pump Model	Article No.	Motor Rating		Suction Size (mm)	Delivery Size (mm)	Flow (LPM)	Total Head (m)										
		hp	kW				3	6	12	15	18	21	24	28	30	32	
Wilco Mini Emperor Neo 05	8249870	0.5	0.37	25	25	30	26	18	14	11	6						
Wilco Mini Emperor Neo 10	8249871	1	0.75	25	25		45	36	33	26	20	16	12.5	10	3		

Wilo King Master

Self-priming mini pumpset



Technical Data:

Flow: upto 50 LPM
Head: upto 50 m
Power: upto 0.75 kW (1.0hp)
Voltage: 180 to 250 V

Material of construction:

Casing : Cast Iron
Impeller : Brass
Motor Body : Aluminium Pressure Die-cast
Winding : 100% Copper

Application:

Water transfer in:
 → Water transfer in
 → Bungalows:
 → Farm houses
 → Apartments
 → Industry Use
 → Softener
 → RO Application

Standard Features:

- Suitable for wide band of voltage i.e. 160 volts to 250 volts
- Life long permanent lubricated bearings
- Built in thermal over-load protection
- TEFC, capacitor start & run Motor, insulation class B
- High suction lift upto 7.3 m (at 220 V, single phase)
- High quality aluminium extruded motor body
- Direction of rotation – anticlockwise when viewed from drive end
- Low life cycle cost – low maintenance, low power consumption and easy motor rewinding
- Dynamically balanced Aluminum rotor for precision

Selection Table

Pump Model	Article No.	Motor Rating		Suction Size (mm)	Delivery Size (mm)	Flow (LPM)	Total Head (m)													
		hp	kW				6	12	15	18	21	24	27	30	33	36	42	48	50	
Wilo Mini King Master 05	8249987	0.5	0.37	25	25	48	39	35	30	25	20	15	10							
Wilo Mini King Master 10	8249988	1	0.75	25	25	50	42	38	35	32	29	26	23	20	17	11	6	4		

*SKF bearing

WHS VN & WHS MN

Self-priming High suction pumpset



Technical Data:

Flow: upto 45 LPM
Head: upto 36 m
Power: upto 0.75kW (1hp)
Voltage: 220V

Application:

- Water transfer for domestic use in gardening, apartments, bungalows, hotels etc.
- Washing – garages, laundries, automobiles service station
- For lifting water to overhead storage tanks, lawn sprinklers & pressure boosting system

Standard Features:

- High performance TEFC, capacitor start & run motor, Class of insulation 'B'
- High suction lift upto 6 m at 240V
- Single shaft for pump & motor to ensure permanent correct alignment
- Sealing arrangement – Mech. seal (high quality for long life)
- Direction of rotation – CW from driving end
- Safety feature – earthing provision, TOP
- Brass impeller to avoid clogging & increase durability
- Dynamically balanced Aluminum rotor for precision

Material of construction:

Casing : Cast Iron

Impeller : Brass

Motor Body : Aluminum Extruded

Selection Table

Pump Model	Article No.	Power Rating		Pipe Size		Flow (LPM)	Total Head (m)										
		kW	hp	Suction mm	Delivery mm		3	6	12	15	18	21	24	28	30	32	36
WHS VN 05/1-220-50-2 PUMP	8249872	0.37	0.5	25	25	41	36	34	31	27	19	13	8				
*WHS VN 10/1-220-50-2 PUMP	8249873	0.75	1	25	25		45	40	37	36	31	24	20	16	14	8	

* NRV

Pump Model	Article No.	Power Rating		Pipe Size		Flow (LPM)	Total Head (m)									
		kW	hp	Suction mm	Delivery mm		3	6	12	15	18	21	24	28	30	32
WHS MN 05/1-220-50-2 PUMP	8249876	0.37	0.5	25	25	36	20	12.5	5							
WHS MN 10/1-220-50-2 PUMP	8249878	0.75	1	25	25		32.5	28	25	21	18	16	12.5	11	8	

WHS S and WHS SN

Self-priming High suction pumpset



Technical Data:

Flow: upto 48 LPM
Head: upto 36 m
Power: upto 0.75kW (1hp)
Voltage: 220V

Application:

- Water transfer in:
- Water transfer for domestic use in Gardening, Apartments, Bungalows, Hotels etc.
 - Washing – Garages, Laundries, Automobiles service station
 - For lifting water to overhead storage tanks.
 - Lawn sprinklers & Pressure Boosting system

Standard Features:

- High performance TEFC, capacitor start & run motor, Class of insulation 'B'
- High suction lift upto 8.5 m at 240V
- Single shaft for pump & motor – to ensure permanent correct alignment
- Sealing arrangement – Mech. seal (high quality for long life)
- Direction of rotation – CW from driving end
- Safety feature – earthing provision, TOP
- Dynamically balanced Aluminum rotor for precision

Material of construction:

Casing : Cast Iron
Impeller : Noryl/Cast Iron Impeller**
Motor Body : Aluminum Extruded

Selection

Pump Model	Article No.	Motor Rating		Suction Size (mm)	Delivery Size (mm)	Flow (LPM)	Head (m)						
		kW	hp				6	12	18	24	28	30	36
WHS SN05	8224520	0.37	0.50	25	25	48	45	40	30	17	8		
WHS SN10	8224521	0.75	1.00	25	25		48	45	40	30	25	8	

Pump Model	Article No.	Motor Rating		Suction Size (mm)	Delivery Size (mm)	Flow (LPM)	Head (m)						
		kW	hp				6	12	18	24	28	30	36
WHS SN Neo 05**	8249874	0.37	0.50	25	25	48	45	40	30	17	8		
WHS SN Neo 10**	8249875	0.75	1.00	25	25		48	45	40	30	25	8	

Selection Table

Pump Model	Article No.	Motor Rating		Suction Size (mm)	Delivery Size (mm)	Flow (LPM)	Total Head (m)															
		hp	kW				3	6	8	10	12	14	15	16	18	20	22	24	26	28	32	
WMB30G Kushal_M	8224543	3.00	2.20	75	75			1000	900	800	700	600	550	500								
WMB30I Kushal_M	8224544	3.00	2.20	100	100			1100	980	870	770	665										
WMB30I Kushal_M**	8224545	3.00	2.20	100	100			1100	980	870	770	665										

Pump Model	Article No.	Motor Rating		Suction Size (mm)	Delivery Size (mm)	Flow (LPM)	Head (m)														
		hp	kW				10	12	14	15	16	18	20	22	24						
WMB30E Kushal_M-CI/MS/2**	8229037	3	2.2	65	50			500	460	420	400	380	330	280	240	200					
WMB30E Kushal_M-CI/MS/3****	8233396	3	2.2	65	50			500	460	420	400	380	330	280	240	200					

Pump Model	Article No.	Motor Rating		Suction Size (mm)	Delivery Size (mm)	Flow (LPM)	Head (m)									
		hp	kW				6	12	15	18	21	24	27			
WMB10A Kushal_M Neo	8249880	1	0.75	25	25			160	130	115	90	55				
WMB20H Kushal_M Neo****	8249881	1.5	1.12	40	32			190	170	135	115	90	65	30		

MPM

Monoblock pumpset- 3 Phase



Technical Data:

Flow: upto 2250 LPM
Head: upto 78 m
Power: upto 22kW (30hp)
Voltage: 220 V (Single phase)
 415 V (Three phase)

Material of construction:

Casing : Cast Iron
Impeller : Cast Iron/Bronze
Motor Body : Cast Iron
Sealing : Gland pack/ Mech. seal

Application:

Water transfer in:
 → Bungalows
 → Farm houses
 → Apartments
 → Curing at construction Sites

Standard Features:

- Dynamically balanced rotating parts to ensure min. vibration, noise free operation & long bearing life
- Designed for wide Voltage fluctuations

Selection Table - CAT A with Mechanical Seal

Pump Model	Article No.	Power Rating		Pipe Size (mm)		Discharge in LPM	Total Head (m)										
		kW	hp	Suction	Delivery		6	10	12	15	17	19	21	24	30		
MPM011	8054338	0.75	1	50	50	Discharge in LPM	290	250	210	130							
MPM012	8054342	0.75	1	32	25						160	145	125	100	60		
MPM013	8054346	0.75	1	32	25						135	125	115	105	80	10	
MPM014	8054350	0.75	1	40	32						150	135	120	100	50		
MPM0155	8054354	1.1	1.5	40	40						260	240	225	210	100		
MPM0156	8054358	1.1	1.5	50	50				500	450	320						
MPM021	8004014	1.5	2	50	40						200	190	180	165	140	60	
MPM022	8004018	1.5	2	50	40						290	275	260	235	170		
MPM023	8004022	1.5	2	65	50												
MPM023L	8054370	1.5	2	80	65						850	700	575				

MPM

Monoblock pumpset- 3 Phase



Technical Data:

Flow: upto 2250 LPM
Head: upto 78 m
Power: upto 22kW (30hp)
Voltage: 220 V (Single phase)
 415 V (Three phase)

Material of construction:

Casing : Cast Iron
Impeller : Cast Iron/Bronze
Motor Body : Cast Iron
Sealing : Gland pack/ Mech. seal

Application:

Water transfer in:
 → Bungalows
 → Farm houses
 → Apartments
 → Curing at construction Sites

Standard Features:

- Dynamically balanced rotating parts to ensure min. vibration, noise free operation & long bearing life
- Designed for wide Voltage fluctuations

Selection Table – CAT B with Mechanical Seal

Pump Model	Article No.	Power Rating		Pipe Size (mm)		Discharge in LPM	Total Head (m)										
		kW	hp	Suction	Delivery		6	10	12	15	17	19	21	24	30		
MPM011	8054339	0.75	1	50	50	Discharge in LPM	290	250	210	130							
MPM012	8054343	0.75	1	32	25						160	145	125	100	60		
MPM013	8054347	0.75	1	32	25						135	125	115	105	80	10	
MPM014	8054351	0.75	1	40	32						150	135	120	100	50		
MPM0155	8054355	1.1	1.5	40	40						260	240	225	210	100		
MPM0156	8054359	1.1	1.5	50	50				500	450	320						
MPM021	8004015	1.5	2	50	40						200	190	180	165	140	60	
MPM022	8004019	1.5	2	50	40						290	275	260	235	170		
MPM023	8004023	1.5	2	65	50						410	300					
MPM023L	8054371	1.5	2	80	65			850	700	575	510	410	300				

MPM

Monoblock pumpset- 3 Phase



Technical Data:

Flow: upto 2250 LPM
Head: upto 78 m
Power: upto 22kW (30hp)
Voltage: 220 V (Single phase)
 415 V (Three phase)

Material of construction:

Casing : Cast Iron
Impeller : Cast Iron/Bronze
Motor Body : Cast Iron
Sealing : Gland pack/ Mech. seal

Standard Features:

- Dynamically balanced rotating parts to ensure min. vibration, noise free operation & long bearing life
- Designed for wide Voltage fluctuations

Application:

- Water transfer in:
- Bungalows
 - Farm houses
 - Apartments
 - Curing at construction Sites

Selection Table - CAT B with Gland Pack

Pump Model	Article No.	Power Rating		Pipe Size (mm)		Discharge in LPM	Total Head (m)								
		kW	hp	Suction	Delivery		6	10	12	15	17	19	21	24	30
MPM021	8004013	1.5	2	50	40	Discharge in LPM				200	190	180	165	140	60
MPM022	8004017	1.5	2	50	40					290	275	260	235	170	
MPM023	8004021	1.5	2	65	50				575	510	410	300			
MPM023L	8054369	1.5	2	80	65		850	700	575						

Pump Model	Article No.	Power Rating		Pipe Size (mm)		Discharge in LPM	Total Head (m)														
		kW	hp	Suction	Delivery		10	12	15	17	19	21	24	27	32	33	35	38	42	48	50
MPM034	8004025	2.2	3	50	40	Discharge in LPM						245	230	190	180	150	100				
MPM035	8004029	2.2	3	50	40						370	340	300	250							
MPM036	8004033	2.2	3	65	50				685	585	520	435	300								
MPM036H	8054361	2.2	3	65	50						525	460	350								
MPM037	8004037	2.2	3	80	65			850	760	600	400										
MPM058	8004041	3.7	5	50	40							475	460	410	390	380	340	250			
MPM059	8004045	3.7	5	65	50								425	410	375	275					
MPM0510	8004049	3.7	5	65	50						680	650	600	525	300	300					
MPM0511	8004053	3.7	5	75	65				1100	1050	980	860	790	490							
MPM0713	8004061	5.5	7.5	50	40													325	270	240	170
MPM0714	8004065	5.5	7.5	65	50								720	605	585	530	440	150			
MPM0715	8004069	5.5	7.5	80	65						990	920	840	660	620	400					
MPM0716	8004073	5.5	7.5	100	75							1320	1200	1120	800						

MNC

Self-priming Non-Clog pump & pumpset



Technical Data:

Flow: upto 4200 LPM
Head: upto 34 m
Power: upto 18.5kW (25hp)
Voltage: 220 V (Single phase)
 415 V (Three phase)

Material of construction:

Casing : Cast Iron
Impeller : Cast Iron/Bronze
Sealing : Gland pack/ Mech. seal

Application:

- De-watering from trenches, pits, basements
- Godowns, multistory, shopping malls
- Hospitals, hotels
- Sewage pumping, rain water, flooding and mud transfer

Selection Table – Three Phase Monobloc

Pump Model	Article No.	Power Rating		Pipe Size (mm)		Discharge in LPM							
		kW	hp	Suction	Delivery	6	8	10	12	14	15	16	18
MNC011M-CI/MS*	8000191	0.75	1	40	40	330	300	266	228	162	138	86	
MNC011M-CI/MS	8032436	0.75	1	40	40	330	300	266	228	162	138	86	
MNC022M-CI/GP	8004164	1.5	2	40	40			408	372	318	295	268	200
MNC022M-CI/MS	8126164	1.5	2	40	40			408	372	318	295	268	200
MNC022M-SS1/GP	8168371	1.5	2	40	40			408	372	318	295	268	200
MNC033M-CI/GP	8032447	2.2	3	50	50			564	540	516	474	444	378
MNC033M-CI/MS	8126165	2.2	3	50	50			564	540	516	474	444	378
MNC033M-SS1/GP	8168372	2.2	3	50	50			564	540	516	474	444	378
MNC055M-CI/GP	8032448	3.7	5	80	80		1100	1032	935	827	758	684	523
MNC055M-CI/MS	8172727	3.7	5	80	80		1100	1032	935	827	758	684	523
MNC055M-SS1/GP	8168373	3.7	5	80	80		1100	1032	935	827	758	684	523
MNC056M-CI/GP	8032449	3.7	5	80	80								
MNC056M-CI/MS	8172349	3.7	5	80	80								
MNC056M-SS1/GP	8168290	3.7	5	80	80								
MNC077M-CI/GP	8032450	5.5	7.5	80	80								
MNC077M-CI/MS	8172729	5.5	7.5	80	80								
MNC077M-SS1/GP	8172728	5.5	7.5	80	80								

*Single phase

nipa

Standard Features:

- Self priming and back pull out design for easy maintenance
- Non clog and semi open impeller enables to handle solids up to 40 mm
- Non asbestos PTFE gland packing along with stuffing box arrangement
- Motors are with high operating efficiency and suitable for wide voltage fluctuations
- Replaceable wearing parts and rewind able motor.
- Stator and rotors are coated with rust proof solution for better corrosion resistance.

Total Head (m)										Solid Size	Imp. Ø dia.	Dir. of Rotation
19	20	22	24	25	26	28	30	32	34	mm	mm	
										7	116	ACW
										7	116	ACW
160	120									8.5	134	ACW
160	120									8.5	134	ACW
160	120									8.5	134	ACW
342	306	216	126	60						10.5	144.3	ACW
342	306	216	126	60						10.5	144.3	ACW
342	306	216	126	60						10.5	144.3	ACW
399	276									15.5	224	CW
399	276									15.5	224	CW
399	276									15.5	224	CW
	532	502	456	428	409	342	295	209	133	7	174	ACW
	532	502	456	428	409	342	295	209	133	7	174	ACW
	532	502	456	428	409	342	295	209	133	7	174	ACW
	846	831	817	798	770	678	570	439	291	14.5	174	ACW
	846	831	817	798	770	678	570	439	291	14.5	174	ACW
	846	831	817	798	770	678	570	439	291	14.5	174	ACW

MNC

Self-priming Non-Clog pump & pumpset

Selection Table - Three Phase Motor Coupled

Pump Model	Article No	Motor Rating kW	Rated Speed hp	RPM	Pipe Size (mm)		Discharge in LPM	Total Head (m)											Solid Size mm	Imp. Ø dia. mm	Dir. of Rotation	
					Suction	Delivery		10	12	14	15	16	18	19	20	22	24	25				26
MNC1010-CI/GP	8000183	7.5	10	1450	100	100	1900	1890	1740	1580	1425	1265	1100	950	790	630	475	18	292	CW		
MNC1212-CI/GP	8000184	9.3	12.5	1450	100	100	2280	2107	1945	1780	1620	1460	1300	1135	970	810	650	490	325	23	292	CW
MNC2020-CI/GP	8000185	15	20	1450	150	150	3753	3490	3220	2950	2680	2410	2140	1870	1600	1330		34	296	ACW		
MNC2525-CI/GP	8000186	18.5	25	1450	150	150	4218	3925	3645	3365	3080	2800	2525	2245	1960	1685	1400	1123	40	296	ACW	

CW - clockwise, ACW - Anti-clockwise

WPO Raptor

Horizontal Open well
Submersible pumpset 1 Phase



Technical Data:

Flow: upto 1550 LPM
Head: upto 48 m
Power: upto 3.7kW (5hp)
Voltage: 160 to 240 voltage

Material of construction:

Impeller : Noryl*/Cast Iron
Casing : Cast Iron
Motor Body : SS

Application:

→ Water transfer in:
→ Farm houses
→ Bungalows
→ Apartments

Selection Table

Description	Art. No.	Power Rating		Pipe Size									
		kW	hp	Suc	Del.	6	9	10.5	12	13.5	15	18	19
WPO Raptor 5A/1*	8224561	0.37	0.5	25	25	180	170		130	110	95	20	205
WPO Raptor 10A/1*	8224562	0.75	1	25	25				200	180	165	140	
WPO Raptor 10B/1	8238015												205
WPO Raptor 15C/1	8224563	1.1	1.5	40	32							270	245
WPO Raptor 20E/1	8224564	1.5	2	50	40			315	305	295	285	265	255
WPO Raptor 20F/1	8224565	1.5	2	50	50		475	450	430	405	375	310	250
WPO Raptor 30E/1	8224566	2.2	3	50	40								
WPO Raptor 30F/1	8224567	2.2	3	50	50								
WPO Raptor 30G/1	8224568	2.2	3	65	50							590	550
WPO Raptor 30H/1	8224569	2.2	3	65	65		950	900	850	780	720	560	480
WPO Raptor 30I/1	8224570	2.2	3	75	65	1080	1035	995	940	860	780	600	440
WPO Raptor 30J/1	8224571	2.2	3	75	75	1280	1120	1020	910	770	550	100	
WPO Raptor 30K/1	8224572	2.2	3	100	75	1320	1120	1020	910	720	415		
WPO Raptor 30L/1	8224573	2.2	3	100	100	1450	1210	1050	850	550			
WPO Raptor 50E/1	8224574	3.7	5	50	40								
WPO Raptor 50F/1	8224575	3.7	5	50	50								
WPO Raptor 50G/1	8224576	3.7	5	65	50					900	880	840	810
WPO Raptor 50H/1	8224577	3.7	5	65	65				1100	1050	1000	900	850
WPO Raptor 50I/1	8224578	3.7	5	75	65			1280	1220	1160	1080	980	900
WPO Raptor 50J/1	8224579	3.7	5	75	75		1400	1350	1295	1235	1170	1000	840
WPO Raptor 50K/1	8224580	3.7	5	100	75		1440	1390	1340	1280	1200	980	830
WPO Raptor 50L/1	8224581	3.7	5	100	100		1550	1500	1430	1340	1250	1000	650

WPO Raptor

Horizontal Open well
Submersible pumpset 3 Phase



Technical Data:

Flow: upto 3400 LPM
Head: upto 78 m
Power: upto 22 kW(30 HP)
Voltage: 350 to 440 voltage

Material of construction:

Impeller : Cast Iron
Casing : Cast Iron
Motor Body : Cast Iron
Coating: CED

Application:

- Water transfer in:
- Bungalows
- Farm houses
- Apartments
- Agriculture

Selection Table

Description	Art. No.	Power Rating		Pipe Size		6	9	10.5	12	13.5	15	18	19
		hp	kW	Suc. mm	Del. mm								
WPO Raptor 10B/3-415-50-2	8238016												205
WPO Raptor(A) 15C/3-415-50-2	8224582	1.5	1.1	40	32						270	245	230
WPO Raptor(A) 20E/3-415-50-2	8224583	2	1.5	50	40			315	305	295	285	265	255
WPO Raptor(A) 20F/3-415-50-2	8224584	2	1.5	50	50		475	450	430	405	375	310	250
WPO RAPTOR(A) 30E/3-415-50-2	8228967	3	2.2	50	40								
WPO RAPTOR(A) 30F/3-415-50-2	8228968	3	2.2	50	50								
WPO RAPTOR(A) 30G/3-415-50-2	8228969	3	2.2	65	50								
WPO RAPTOR(A) 30H/3-415-50-2	8228970	3	2.2	65	65		950	900	850	780	720	590	550
WPO RAPTOR(A) 30I/3-415-50-2	8228971	3	2.2	75	65	1080	1035	995	940	860	780	600	440
WPO RAPTOR(A) 30J/3-415-50-2	8228972	3	2.2	75	75	1280	1120	1020	910	770	550	100	
WPO RAPTOR(A) 30K/3-415-50-2	8228973	3	2.2	100	75	1320	1120	1020	910	720	415		
WPO RAPTOR(A) 30L/3-415-50-2	8228974	3	2.2	100	100	1450	1210	1050	850	550			
WPO RAPTOR(A) 50E/3-415-50-2	8228975	5	3.7	50	40								
WPO RAPTOR(A) 50F/3-415-50-2	8228976	5	3.7	50	50								
WPO RAPTOR(A) 50G/3-415-50-2	8228715	5	3.7	65	50					900	880	840	810
WPO RAPTOR(A) 50H/3-415-50-2	8228977	5	3.7	65	65				1100	1050	1000	900	850
WPO RAPTOR(A) 50I/3-415-50-2	8228978	5	3.7	75	65			1280	1220	1160	1080	980	900
WPO RAPTOR(A) 50J/3-415-50-2	8228979	5	3.7	75	75		1400	1350	1295	1235	1170	1000	840
WPO RAPTOR(A) 50K/3-415-50-2	8228980	5	3.7	100	75		1440	1390	1340	1280	1200	980	830
WPO RAPTOR(A) 50L/3-415-50-2	8228981	5	3.7	100	100		1550	1500	1430	1340	1250	1000	650
WPO RAPTOR(A) 75F/3-415-50-2	8228982	7.5	5.5	50	50								
WPO RAPTOR(A) 75G/3-415-50-2	8228983	7.5	5.5	65	50								
WPO RAPTOR(A) 75H/3-415-50-2	8228984	7.5	5.5	65	65								
WPO RAPTOR(A) 75I/3-415-50-2	8228985	7.5	5.5	75	65							1115	1100
WPO RAPTOR(A) 75J/3-415-50-2	8228986	7.5	5.5	75	75								
WPO RAPTOR(A) 75K/3-415-50-2	8228987	7.5	5.5	100	75				1650	1550	1450	1275	1175
WPO RAPTOR(A) 75L/3-415-50-2	8228988	7.5	5.5	100	100			1800	1750	1700	1650	1500	1400

WPO Raptor

Vertical Open well

Submersible pumpset 3 Phase



Technical Data:

Flow: upto 1500 LPM
Head: upto 148 m
Power: upto 16.8kW (22.5hp)
Voltage: 350 to 440 voltage
No. of Stages: 8
Pipe Size: 75mm

Material of construction:

Impeller : Cast Iron
Casing : Cast Iron
Motor Body : Cast Iron
Coating: CED

Application:

→ Water transfer in:
 → Farm houses
 → Bungalows
 → Apartments
 → Agriculture

Standard Features:

- Highly durable rewindable motor
- Dynamically balanced rotating parts to ensure – min. vibration, noise free operation & long bearing life
- Compact mechanical design
- Designed for underwater applications in submerged condition
- Designed for wide Voltage fluctuations
- Pumps are CED coated to protect from corrosion
- All internal parts are specially coated – to prevent internal rusting
- No suction & priming problem
- High operating efficiencies of pumpset – result into Low power consumption & electric bills

Selection Table

	Article	STAGES No	Pipe sizes (mm)	Motor rating		Cable size mm ²	Starting method	Current Max A	Discharge LPM					
				kW	HP				165	250	300	400	450	
WPOV Raptor A-30/02/50/3-415-50_DOL	8238127	2	50	2.2	3.0	1.5	DOL	6.5	37	32	29	22	18	
WPOV Raptor A-50/03/50/3-415-50_DOL	8238128	3	50	3.7	5.0	1.5	DOL	10.0	56	49	44	33	27	
WPOV Raptor A-75/05/50/3-415-50_DOL	8238129	5	50	5.5	7.5	2.5	S.D.	14.5	Head (m)	93	82	74	55	45
WPOV Raptor A-100/07/50/3-415-50_S/D	8238130	7	50	7.5	10.0	2.5	S.D.	19.5		129	114	103	77	63
WPOV Raptor A-125/08/50/3-415-50_S/D	8238131	8	50	9.3	12.5	2.5	S.D.	25.0		148	128	116	88	72

	Article	STAGES No	Pipe sizes (mm)	Motor rating		Cable size mm ²	Starting method	Current Max A	Discharge LPM					
				kW	HP				250	350	450	580	750	
WPOV Raptor B-50/02/65/3-415-50_DOL	8238132	2	65	3.7	5.0	1.5	DOL	10.0	Head (m)	40	38	34	28	16
WPOV Raptor B-75/03/65/3-415-50_DOL	8238133	3	65	5.5	7.5	2.5	S.D.	14.5		60	57	51	42	24
WPOV Raptor B-100/04/65/3-415-50_S/D	8238134	4	65	7.5	10.0	2.5	S.D.	19.5		80	76	68	56	32
WPOV Raptor B-125/05/65/3-415-50_S/D	8238135	5	65	9.3	12.5	2.5	S.D.	25.0	100	96	86	70	40	
WPOV Raptor B-150/06/65/3-415-50_S/D	8238136	6	65	11.0	15.0	2.5	S.D.	29.0	120	113	104	84	48	

WPO Raptor

Vertical Open well

Submersible pumpset 3 Phase

	Article	STAGES No	Pipe sizes (mm)	Motor rating		Cable size mm ²	Starting method	Current Max A		Discharge LPM				
				kW	HP					500	580	665	830	1000
WPOV Raptor C-50/01/75/3-415-50_DOL	8238137	1	75	3.7	5.0	1.5	DOL	10.0		25	24	22	18	13
WPOV Raptor C-100/02/75/3-415-50_S/D	8238138	2	75	7.5	10.0	2.5	S.D.	19.5	Head (m)	50	47	44	35	26
WPOV Raptor C-150/03/75/3-415-50_S/D	8238139	3	75	11.0	15.0	2.5	S.D.	29.0		75	71	66	53	39
WPOV Raptor C-200/04/75/3-415-50_S/D	8238140	4	75	15.0	20.0	4.0	S.D.	39.0		100	94	88	70	52

	Article	STAGES No	Pipe sizes (mm)	Motor rating		Cable size mm ²	Starting method	Current Max A		Discharge LPM				
				kW	HP					830	1000	1160	1330	1500
WPOV Raptor D-75/01/75/3-415-50_DOL	8238141	1	75	5.5	7.5	2.5	S.D.	14.5		27	25	22	18	12
WPOV Raptor D-150/02/75/3-415-50_S/D	8238142	2	75	11.0	15.0	2.5	S.D.	29.0	Head (m)	54	50	44	36	24
WPOV Raptor D-225/03/75/3-415-50_S/D	8238143	3	75	16.8	22.5	4.0	S.D.	44.0		81	75	66	54	36

WBW 75 mm (3") – Water Filled

Borewell Submersible Pumpset



Technical Data:

Flow: upto 80 LPM

Head: upto 45 m

Power: upto 0.75kW (1 hp)

Application

- Domestic household water supply
- Water supply to high rise building, housing complex, villas, farm houses, gardens and nurseries
- Washing – garages, poultry farms, cattle farms, and stud farms
- Fountains

Standard Features:

- Wide voltage range available in single and three phase
- High grade engineered polymer – glass filled virgin Noryl
- High quality winding wires to ensure reliability & capability to withstand wide voltage fluctuation
- Adequate bearing supports are provided at top, bottom and middle for better stability
- Casings are provided with wear rings (SS) for longer life and ease of maintenance
- Top & Suction bush are protected by proper sand guard arrangement
- Non return valve designed for minimum friction loss
- Water lubricated and fully rewindable motor with 2.75 m, 3 core, PVC flat cable along with earthing provision
- Resistant to corrosion and abrasion
- Spline coupling as per NEMA standards

Material of construction:

Diffuser : Glass Filled Virgin Noryl

Impeller : Glass Filled Virgin Noryl

Motor Body : SS

Rotor: Copper

Stator Winding: Copper

Selection Table

Pump Model	Article No.	No. of Stage	Power Rating		Rated Current (A) 1Ph	Discharge Dia. (mm)	Total Head (m)	Discharge (LPM)							
			kW	hp				0	40	45	50	52	57	61	68
WBWP3 Prathak 10/20/32/1-220-50-2 PUMP	8200655	20	0.75	1	7.5	32		80	54	50	46	43	38	33	26

Pump Model	Article No.	No. of Stage	Power Rating		Rated Current (A) 1Ph	Discharge Dia. (mm)	Total Head (m)	Discharge (LPM)							
			kW	hp				0	45	54	65	70	75	80	85
WBWP3 Prathak 10/12/32/1-220-50-2	8200696	10	0.75	1	7.5	32		45	38	36	34	28	23	17	

Pump Model	Article No.	No. of Stage	Power Rating		Rated Current (A) 1Ph	Discharge Dia. (mm)	Total Head (m)	Discharge (LPM)							
			kW	hp				0	35	42	50	60	70	80	
WBWP3 Prathak 10/15/32/1-220-50-2 PUMP	8200656	15	0.75	1	7.5	32		56	48	45	42	34	28	20	

WBW 100 mm (4 ") Prathak – Water Filled

Borewell Submersible Pumpset



Technical Data:

Flow: upto 420 LPM
Head: upto 363 m
Power: upto 3.7 kW (5 hp)
Stages: upto 50

Application

- Domestic household water supply
- Water supply to high rise building, housing complex, villas, farm houses, gardens and nurseries
- Washing – garages, poultry farms, cattle farms, and stud farms
- Fountains

Standard Features:

- Wide voltage range available in single phase
- High grade engineered polymer – glass filled virgin Noryl impeller
- High quality Winding Wires to ensure reliability & capability to withstand wide voltage fluctuation
- Adequate Bearing supports are provided at top, bottom and middle for better stability
- Non return valve designed for minimum friction loss
- Water lubricated and fully rewindable motor with 2.75 m, 3 core, PVC flat cable along with earthing provision
- Resistant to corrosion and abrasion
- Spline coupling as per NEMA standard

Material of construction:

Diffuser : Glass Filled Virgin Noryl
Impeller : Glass Filled Virgin Noryl
Motor Body : SS
Stator Winding: Copper

Selection Table – Single Phase

Pump Set- Description	Art. No.	No. of Stages	Motor Rating		Rated current (A) 1ph	Discharge Dia. (mm)	Discharge (LPM)							
			HP	kW			0	15	20	25	30	35	40	45
WBWP4A Prathak-05/08/32/1-220-50-2 PUMP	8238144	8	0.5	0.37	5.3	32	41	40	39	36	32	27	21	15
WBWP4A Prathak-08/12/32/1-220-50-2 PUMP	8238145	12	0.75	0.56	6.2	32	62	60	59	54	48	41	32	23
WBWP4A Prathak-10/15/32/1-220-50-2 PUMP	8238146	15	1.0	0.75	7.5	32	77	75	73	68	60	51	39	28
WBWP4A Prathak-10/18/32/1-220-50-2 PUMP	8238147	18	1.0	0.75	7.5	32	92	90	88	81	72	61	47	34
WBWP4A Prathak-15/20/32/1-220-50-2 PUMP	8238148	20	1.5	1.1	10.5	32	103	100	98	90	80	68	53	38
WBWP4A Prathak-15/25/32/1-220-50-2 PUMP	8238149	25	1.5	1.1	10.5	32	128	125	122	113	100	84	66	47

Pump Set- Description	Art. No.	No. of Stages	Motor Rating		Rated current (A) 1ph	Discharge Dia. (mm)	Discharge (LPM)							
			HP	kW			0	25	30	35	40	45	50	55
WBWP4B Prathak-08/10/32/1-220-50-2 PUMP	8238150	10	0.75	0.56	6.2	32	55	53	51	49	46	41	36	31
WBWP4B Prathak-10/12/32/1-220-50-2 PUMP	8238151	12	1.0	0.75	7.5	32	66	63	62	59	55	50	43	37
WBWP4B Prathak-15/18/32/1-220-50-2 PUMP	8238152	18	1.5	1.1	10.5	32	98	95	92	89	83	74	65	55
WBWP4B Prathak-20/25/32/1-220-50-2 PUMP	8238153	25	2.0	1.5	13.8	32	137	132	128	123	115	103	90	77
WBWP4B Prathak-30/28/32/1-220-50-2 PUMP	8238154	28	3.0	2.2	19.8	32	153	148	144	138	129	116	101	86

BIS / BEE Start Rated pumps

Selection Table – Single Phase

Pump Set– Description	Art. No.	No. of Stages	Motor Rating		Rated current (A)	Discharge Dia. (mm)	Discharge (LPM)							
			HP	kW	1ph		0	35	45	55	65	75	85	95
WBWP4C Prathak-05/06/40/1-220-50-2 PUMP	8238155	6	0.5	0.37	5.3	40	35	31	29	26	24	20	17	12
WBWP4C Prathak-08/08/40/1-220-50-2 PUMP	8238156	8	0.75	0.56	6.2	40	46	41	38	35	31	26	22	15
WBWP4 Prathak-10/10/40/1-220-50-2 PUMP	8200244	10	1.0	0.75	7.5	40	58	51	48	43	39	33	28	19
WBWP4C Prathak-15/12/40/1-220-50-2 PUMP	8238158	12	1.5	1.1	10.5	40	69	61	57	52	47	39	33	23
WBWP4C Prathak-15/15/40/1-220-50-2 PUMP	8238159	15	1.5	1.1	10.5	40	86	76	71	65	59	49	41	29
WBWP4C Prathak-20/20/40/1-220-50-2 PUMP	8238160	20	2.0	1.5	13.8	40	115	102	95	87	78	65	55	38
WBWP4C Prathak-30/25/40/1-220-50-2 PUMP	8238161	25	3.0	2.2	19.8	40	144	127	119	108	98	81	69	48
WBWP4C Prathak-30/30/40/1-220-50-2 PUMP	8238162	30	3.0	2.2	19.8	40	173	153	143	130	118	98	83	58

Pump Set– Description	Art. No.	No. of Stages	Motor Rating		Rated current (A)	Discharge Dia. (mm)	Discharge (LPM)							
			HP	kW	1ph		0	40	60	80	100	120	140	160
WBWP4D Prathak-10/08/50/1-220-50-2 PUMP	8238163	8	1.0	0.75	7.5	50	49	45	43	38	33	26	19	11
WBWP4D Prathak-15/10/50/1-220-50-2 PUMP	8238164	10	1.5	1.1	10.5	50	62	57	53	48	41	33	23	13
WBWP4D Prathak-20/12/50/1-220-50-2 PUMP	8238165	12	2.0	1.5	13.8	50	74	68	64	58	49	39	28	16
WBWP4D Prathak-20/14/50/1-220-50-2 PUMP	8238166	14	2.0	1.5	13.8	50	86	79	75	67	57	46	33	19
WBWP4D Prathak-30/19/50/1-220-50-2 PUMP	8238167	19	3.0	2.2	19.8	50	117	108	101	91	78	62	44	25

Pump Set– Description	Art. No.	No. of Stages	Motor Rating		Rated current (A)	Discharge Dia. (mm)	Discharge (LPM)							
			HP	kW	1ph		0	60	80	100	120	140	160	180
WBWP4E Prathak-15/06/50/1-220-50-2 PUMP	8238168	6	1.5	1.1	10.5	50	40	37	36	33	29	25	20	14
WBWP4E Prathak-20/08/50/1-220-50-2 PUMP	8238169	8	2.0	1.5	13.8	50	54	49	48	44	39	33	26	18
WBWP4E Prathak-30/10/50/1-220-50-2 PUMP	8238170	10	3.0	2.2	19.8	50	67	62	60	55	49	41	33	23
WBWP4E Prathak-30/12/50/1-220-50-2 PUMP	8238171	12	3.0	2.2	19.8	50	80	74	72	66	59	49	39	28

Pump Set– Description	Art. No.	No. of Stages	Motor Rating		Rated current (A)	Discharge Dia. (mm)	Discharge (LPM)							
			HP	kW	1ph		0	70	90	110	130	150	170	190
WBWP4F Prathak-10/05/50/1-220-50-2 PUMP	8238172	5	1.0	0.75	7.5	50	31	28	26	24	21	17	13	8
WBWP4F Prathak-15/08/50/1-220-50-2 PUMP	8238173	8	1.5	1.1	10.5	50	50	45	42	38	33	27	20	13
WBWP4 Prathak-20/10/50/1-220-50-2 PUMP*	8224450	10	2.0	1.5	13.8	50	63	56	52	47	41	34	25	17
WBWP4F Prathak-20/12/50/1-220-50-2 PUMP	8238175	12	2.0	1.5	13.8	50	75	67	63	57	50	41	30	20
WBWP4F Prathak-30/15/50/1-220-50-2 PUMP	8238176	15	3.0	2.2	19.8	50	94	84	78	71	62	51	38	25

*BIS / BEE Start Rated pumps

Selection Table – Single Phase

Pump Set- Description	Art. No.	No. of Stages	Motor Rating		Rated current (A)	Discharge Dia.	Discharge (LPM)							
			HP	kW	1ph	(mm)	0	21	29	37	45	53	61	69
WBWP4G Prathak-10/10/40/1-220-50-2 PUMP	8238177	10	1.0	0.75	7.5	40	73	69	65	50	45	40	33	16
WBWP4G Prathak-15/14/40/1-220-50-2 PUMP	8238178	14	1.5	1.1	10.5	40	102	94	90	70	63	55	47	20
WBWP4G Prathak-20/18/40/1-220-50-2 PUMP	8238179	18	2.0	1.5	13.8	40	131	122	114	90	81	72	60	25
WBWP4G Prathak-20/20/40/1-220-50-2 PUMP	8238180	20	2.0	1.5	13.8	40	146	136	127	100	90	80	67	28
WBWP4G Prathak-30/24/40/1-220-50-2 PUMP	8238181	24	3.0	2.2	19.8	40	174	158	144	117	106	89	79	30
WBWP4G Prathak-30/30/40/1-220-50-2 PUMP	8238182	30	3.0	2.2	19.8	40	218	198	182	146	132	110	99	40

Pump Set- Description	Art. No.	No. of Stages	Motor Rating		Rated current (A)	Discharge Dia.	Discharge (LPM)							
			HP	kW	1ph	(mm)	0	35	45	55	65	75	85	95
WBWP4H Prathak-10/08/40/1-220-50-2 PUMP	8238183	8	1.0	0.75	7.5	40	65	58	55	51	44	37	30	22
WBWP4H Prathak-15/10/40/1-220-50-2 PUMP	8238184	10	1.5	1.1	10.5	40	81	72	69	63	55	46	38	28
WBWP4H Prathak-15/12/40/1-220-50-2 PUMP	8238185	12	1.5	1.1	10.5	40	98	86	83	76	66	56	45	33
WBWP4H Prathak-15/13/40/1-220-50-2 PUMP	8238186	13	1.5	1.1	10.5	40	106	93	89	82	72	60	49	36
WBWP4H Prathak-15/14/40/1-220-50-2 PUMP	8238187	14	1.5	1.1	10.5	40	114	101	96	88	77	65	53	39
WBWP4 Prathak-20/16/40/1-220-50-2 PUMP*	8224453	16	2.0	1.5	13.8	40	130	115	110	101	88	74	60	44
WBWP4H Prathak-30/20/40/1-220-50-2 PUMP	8238189	20	3.0	2.2	19.8	40	163	144	138	126	110	93	75	55
WBWP4H Prathak-30/23/40/1-220-50-2 PUMP*	8229531	23	3.0	2.2	19.8	40	187	165	158	145	127	106	86	63

Pump Set- Description	Art. No.	No. of Stages	Motor Rating		Rated current (A)	Discharge Dia.	Discharge (LPM)							
			HP	kW	1ph	(mm)	0	10	20	30	33	40	50	60
WBWP4I Prathak-05/08/40/1-220-50-2 PUMP	8238190	8	0.5	0.37	5.3	40	61	54	48	40	36	31	20	8
WBWP4I Prathak-08/10/40/1-220-50-2 PUMP	8238191	10	0.75	0.56	6.2	40	77	67	61	50	45	38	24	10
WBWP4 Prathak-10/14/40/1-220-50-2 PUMP*	8200243	14	1.0	0.75	7.5	40	107	94	85	70	63	54	34	14
WBWP4 Prathak-10/16/40/1-220-50-2 PUMP*	8224443	16	1.0	0.75	7.5	40	122	108	97	80	72	61	39	16
WBWP4 Prathak-15/18/40/1-220-50-2 PUMP*	8224447	18	1.5	1.1	10.5	40	138	121	109	90	81	69	44	18
WBWP4 Prathak-15/20/40/1-220-50-2 PUMP*	8224448	20	1.5	1.1	10.5	40	153	134	121	100	90	77	49	20
WBWP4I Prathak-20/24/40/1-220-50-2 PUMP	8238196	20	2.0	1.5	13.8	40	153	134	121	100	90	77	49	20
WBWP4H Prathak-20/25/40/1-220-50-2 PUMP*	8224456	25	2.0	1.5	13.8	40	184	161	145	120	108	92	59	24
WBWP4I Prathak-30/34/40/1-220-50-2 PUMP	8238198	34	3.0	2.2	19.8	40	260	229	206	170	153	130	83	34
WBWP4I Prathak-30/38/40/1-220-50-2 PUMP	8238199	38	3.0	2.2	19.8	40	291	255	230	190	171	146	93	38

* BIS / BEE Start Rated pumps

Selection Table – Single Phase

Pump Set- Description	Art. No.	No. of Stages	Motor Rating		Rated current (A)	Discharge Dia.	Discharge (LPM)							
			HP	kW	1ph	(mm)	0	15	20	25	30	35	40	45
WBWP4J Prathak-08/12/32/1-220-50-2 PUMP	8238201	12	0.75	0.56	6.2	32	82	74	69	62	54	46	37	28
WBWP4J Prathak-08/14/32/1-220-50-2 PUMP	8238202	14	0.75	0.56	6.2	32	95	87	81	72	63	54	43	32
WBWP4J Prathak-10/18/32/1-220-50-2 PUMP	8238203	18	1.0	0.75	7.5	32	123	111	104	93	81	69	55	42
WBWP4J Prathak-15/20/32/1-220-50-2 PUMP	8238204	20	1.5	1.1	10.5	32	136	124	115	103	90	77	62	46
WBWP4J Prathak-15/26/32/1-220-50-2 PUMP	8238205	26	1.5	1.1	10.5	32	177	161	150	134	117	100	80	60
WBWP4J Prathak-20/30/32/1-220-50-2 PUMP*	8229546	30	2.0	1.5	13.8	32	204	186	173	155	135	116	92	69
WBWP4J Prathak-20/35/32/1-220-50-2 PUMP	8238207	35	2.0	1.5	13.8	32	238	217	202	180	158	135	108	81
WBWP4J Prathak-30/40/32/1-220-50-2 PUMP	8238208	40	3.0	2.2	19.8	32	272	248	231	206	180	154	123	92
WBWP4J Prathak-30/45/32/1-220-50-2 PUMP	8238209	45	3.0	2.2	19.8	32	306	279	260	232	203	173	139	104

Pump Set- Description	Art. No.	No. of Stages	Motor Rating		Rated current (A)	Discharge Dia.	Discharge (LPM)							
			HP	kW	1ph	(mm)	0	135	180	225	270	315	360	405
WBWP4K Prathak-20/05/65/1-220-50-2 PUMP	8238210	5	2.0	1.5	13.8	65	29	23	22	20	18	15	12	9
WBWP4K Prathak-30/06/65/1-220-50-2 PUMP	8238211	6	3.0	2.2	19.8	65	34	28	26	24	21	18	14	10
WBWP4K Prathak-30/07/65/1-220-50-2 PUMP	8238212	7	3.0	2.2	19.8	65	40	33	30	28	25	21	17	12
WBWP4K Prathak-30/08/65/1-220-50-2 PUMP	8238213	8	3.0	2.2	19.8	65	46	37	34	32	28	24	19	14

Pump Set- Description	Art. No.	No. of Stages	Motor Rating		Rated current (A)	Discharge Dia.	Discharge (LPM)							
			HP	kW	1ph	(mm)	0	140	180	220	260	300	340	380
WBWP4L Prathak-20/06/65/1-220-50-2 PUMP	8238214	6	2.0	1.5	13.8	65	39	31	29	26	24	20	17	12
WBWP4L Prathak-20/07/65/1-220-50-2 PUMP	8238215	7	2.0	1.5	13.8	65	45	36	34	31	28	24	20	14
WBWP4L Prathak-30/08/65/1-220-50-2 PUMP	8238216	8	3.0	2.2	19.8	65	52	42	38	35	32	27	22	16
WBWP4L Prathak-30/09/65/1-220-50-2 PUMP	8238217	9	3.0	2.2	19.8	65	58	47	43	40	36	31	25	18

Pump Set- Description	Art. No.	No. of Stages	Motor Rating		Rated current (A)	Discharge Dia.	Discharge (LPM)							
			HP	kW	1ph	(mm)	0	180	220	260	300	340	380	420
WBWP4M Prathak-20/06/65/1-220-50-2 PUMP	8238218	6	2.0	1.5	13.8	65	35	29	27	25	22	19	16	13
WBWP4M Prathak-30/08/65/1-220-50-2 PUMP	8238219	8	3.0	2.2	19.8	65	47	39	36	33	29	26	22	18

Pump Set- Description	Art. No.	No. of Stages	Motor Rating		Rated current (A)	Discharge Dia.	Discharge (LPM)							
			HP	kW	1ph	(mm)	0	180	220	260	300	340	380	420
WBWP4H Prathak-20/25/40/1-220-50-2 PUMP*	8224456	25	2.0	1.5	13.8	40	191	168	151	125	113	96	61	25

* BIS / BEE Start Rated pumps

Selection Table – Three Phase

Pump Set- Description	Art. No.	No. of Stages	Motor Rating		Rated current (A)	Discharge Dia.	Discharge (LPM)							
			HP	kW	3ph	(mm)	0	25	30	35	40	45	50	55
WBWP4B Prathak-20/25/32/3-415-50-2 PUMP	8238229	25	2.0	1.5	4.8	32	137	132	128	123	115	103	90	77
WBWP4B Prathak-30/28/32/3-415-50-2 PUMP	8238230	28	3.0	2.2	6.9	32	153	148	144	138	129	116	101	86

Pump Set- Description	Art. No.	No. of Stages	Motor Rating		Rated current (A)	Discharge Dia.	Discharge (LPM)							
			HP	kW	3ph	(mm)	0	35	45	55	65	75	85	95
WBWP4C Prathak-20/20/40/3-415-50-2 PUMP	8238236	20	2.0	1.5	4.8	40	115	102	95	87	78	65	55	38
WBWP4C Prathak-30/25/40/3-415-50-2 PUMP	8238237	25	3.0	2.2	6.9	40	144	127	119	108	98	81	69	48
WBWP4C Prathak-30/30/40/3-415-50-2 PUMP	8238238	30	3.0	2.2	6.9	40	173	153	143	130	118	98	83	58
WBWP4C Prathak-40/40/40/3-415-50-2 PUMP	8238239	40	4.0	3.0	9.0	40	230	203	190	173	157	130	110	77
WBWP4C Prathak-50/45/40/3-415-50-2 PUMP	8238240	45	5.0	3.7	10.6	40	259	229	214	195	176	146	124	86

Pump Set- Description	Art. No.	No. of Stages	Motor Rating		Rated current (A)	Discharge Dia.	Discharge (LPM)							
			HP	kW	3ph	(mm)	0	40	60	80	100	120	140	160
WBWP4D Prathak-20/12/50/3-415-50-2 PUMP	8238243	12	2.0	1.5	4.8	50	74	68	64	58	49	39	28	16
WBWP4D Prathak-20/14/50/3-415-50-2 PUMP	8238244	14	2.0	1.5	6.9	50	86	79	75	67	57	46	33	19
WBWP4D Prathak-30/19/50/3-415-50-2 PUMP	8238245	19	3.0	2.2	6.9	50	117	108	101	91	78	62	44	25
WBWP4D Prathak-40/25/50/3-415-50-2 PUMP	8238246	25	4.0	3.0	9.0	50	154	142	133	120	103	81	58	33
WBWP4D Prathak-50/30/50/3-415-50-2 PUMP	8238247	30	5.0	3.7	10.6	50	185	170	160	144	123	98	70	40

Pump Set- Description	Art. No.	No. of Stages	Motor Rating		Rated current (A)	Discharge Dia.	Discharge (LPM)							
			HP	kW	3ph	(mm)	0	60	80	100	120	140	160	180
WBWP4E Prathak-20/08/50/3-415-50-2 PUMP	8238249	8	2.0	1.5	4.8	50	53	49	48	44	39	33	26	18
WBWP4E Prathak-30/10/50/3-415-50-2 PUMP	8238250	10	3.0	2.2	6.9	50	66	61	60	55	49	41	33	23
WBWP4E Prathak-30/12/50/3-415-50-2 PUMP	8238251	12	3.0	2.2	6.9	50	80	74	72	66	59	50	39	27
WBWP4E Prathak-40/16/50/3-415-50-2 PUMP	8238252	16	4.0	3.0	9.0	50	106	98	96	88	78	66	52	36
WBWP4E Prathak-50/20/50/3-415-50-2 PUMP	8238253	20	5.0	3.7	10.6	50	133	123	120	110	98	83	65	45

Selection Table – Three Phase

Pump Set- Description	Art. No.	No. of Stages	Motor Rating		Rated current (A)	Discharge Dia.	Discharge (LPM)							
			HP	kW	3ph	(mm)	0	70	90	110	130	150	170	190
WBWP4F Prathak-20/10/50/3-415-50-2 PUMP	8238256	10	2.0	1.5	4.8	50	63	56	52	47	41	34	25	16
WBWP4F Prathak-20/12/50/3-415-50-2 PUMP	8238257	12	2.0	1.5	4.8	50	75	67	62	56	49	41	30	19
WBWP4F Prathak-30/15/50/3-415-50-2 PUMP	8238258	15	3.0	2.2	6.9	50	94	84	78	71	62	51	38	24
WBWP4F Prathak-40/19/50/3-415-50-2 PUMP	8238259	19	4.0	3.0	9.0	50	119	106	99	89	78	65	48	30
WBWP4F Prathak-50/20/50/3-415-50-2 PUMP	8238260	20	5.0	3.7	10.6	50	125	112	104	94	82	68	50	32
WBWP4F Prathak-50/25/50/3-415-50-2 PUMP	8238261	25	5.0	3.7	10.6	50	157	140	130	118	103	85	63	40

Pump Set- Description	Art. No.	No. of Stages	Motor Rating		Rated current (A)	Discharge Dia.	Discharge (LPM)							
			HP	kW	3ph	(mm)	0	21	29	37	45	53	61	69
WBWP4G Prathak-20/18/40/3-415-50-2 PUMP	8238264	18	2.0	1.5	4.8	40	131	122	114	90	81	72	60	25
WBWP4G Prathak-20/20/40/3-415-50-2 PUMP	8238265	20	2.0	1.5	4.8	40	146	136	127	100	90	80	67	28
WBWP4G Prathak-30/24/40/3-415-50-2 PUMP	8238266	24	3.0	2.2	6.9	40	174	158	144	117	106	89	79	30
WBWP4G Prathak-30/30/40/3-415-50-2 PUMP	8238267	30	3.0	2.2	6.9	40	218	198	182	146	132	110	99	40
WBWP4G Prathak-40/32/40/3-415-50-2 PUMP	8238268	32	4.0	3.0	9.0	40	232	211	192	155	141	118	106	42
WBWP4G Prathak-40/40/40/3-415-50-2 PUMP	8238269	40	4.0	3.0	9.0	40	290	266	242	196	178	150	134	54
WBWP4G Prathak-50/50/40/3-415-50-2 PUMP	8238270	50	5.0	3.7	10.6	40	363	330	300	243	220	185	165	65

Pump Set- Description	Art. No.	No. of Stages	Motor Rating		Rated current (A)	Discharge Dia.	Discharge (LPM)							
			HP	kW	3ph	(mm)	0	35	45	55	65	75	85	95
WBWP4H Prathak-20/16/40/3-415-50-2 PUMP	8238276	16	2.0	1.5	4.8	40	130	115	110	101	88	74	60	44
WBWP4H Prathak-30/20/40/3-415-50-2 PUMP	8238277	20	3.0	2.2	6.9	40	163	144	138	126	110	93	75	55
WBWP4H Prathak-40/25/40/3-415-50-2 PUMP	8238278	25	4.0	3.0	9.0	40	210	180	172	158	138	116	94	69
WBWP4H Prathak-40/28/40/3-415-50-2 PUMP	8238279	28	4.0	3.0	9.0	40	235	201	193	177	154	130	105	77
WBWP4H Prathak-50/35/40/3-415-50-2 PUMP	8238280	35	5.0	3.7	10.6	40	294	252	241	221	193	162	131	96
WBWP4H Prathak-50/40/40/3-415-50-2 PUMP	8238281	40	5.0	3.7	10.6	40	336	288	275	253	220	185	150	110

Selection Table – Three Phase

Pump Set- Description	Art. No.	No. of Stages	Motor Rating		Rated current (A)	Discharge Dia.	Discharge (LPM)							
			HP	kW	3ph	(mm)	0	10	20	30	33	40	50	60
WBWP4I Prathak-20/24/40/3-415-50-2 PUMP	8238288	24	2.0	1.5	4.8	40	184	161	145	120	108	92	59	24
WBWP4I Prathak-20/25/40/3-415-50-2 PUMP	8238289	25	2.0	1.5	4.8	40	191	168	151	125	113	96	61	25
WBWP4I Prathak-30/34/40/3-415-50-2 PUMP	8238290	34	3.0	2.2	6.9	40	260	229	206	170	153	130	83	34
WBWP4I Prathak-30/38/40/3-415-50-2 PUMP	8238291	38	3.0	2.2	6.9	40	291	255	230	190	171	146	93	38
WBWP4I Prathak-40/42/40/3-415-50-2 PUMP	8238292	42	4.0	3.0	9.0	40	321	282	254	210	189	161	103	42

Pump Set- Description	Art. No.	No. of Stages	Motor Rating		Rated current (A)	Discharge Dia.	Discharge (LPM)							
			HP	kW	3ph	(mm)	0	15	20	25	30	35	40	45
WBWP4J Prathak-20/30/32/3-415-50-2 PUMP	8238299	30	2.0	1.5	4.8	32	204	186	173	155	133	114	90	68
WBWP4J Prathak-20/35/32/3-415-50-2 PUMP	8238300	35	2.0	1.5	4.8	32	238	217	202	180	155	133	105	79
WBWP4J Prathak-30/40/32/3-415-50-2 PUMP	8238301	40	3.0	2.2	6.9	32	272	248	231	206	177	152	120	91
WBWP4J Prathak-30/45/32/3-415-50-2 PUMP	8238302	45	3.0	2.2	6.9	32	306	279	260	232	200	171	135	102

Pump Set- Description	Art. No.	No. of Stages	Motor Rating		Rated current (A)	Discharge Dia.	Discharge (LPM)							
			HP	kW	3ph	(mm)	0	135	180	225	270	315	360	405
WBWP4K Prathak-20/05/65/3-415-50-2 PUMP	8238303	5	2.0	1.5	4.8	65	29	23	22	20	18	15	12	9
WBWP4K Prathak-30/06/65/3-415-50-2 PUMP	8238304	6	3.0	2.2	6.9	65	34	28	26	24	21	18	14	10
WBWP4K Prathak-30/07/65/3-415-50-2 PUMP	8238305	7	3.0	2.2	6.9	65	40	33	30	28	25	21	17	12
WBWP4K Prathak-30/08/65/3-415-50-2 PUMP	8238306	8	3.0	2.2	6.9	65	46	37	34	32	28	24	19	14
WBWP4K Prathak-40/10/65/3-415-50-2 PUMP	8238307	10	4.0	3.0	9.0	65	57	47	43	40	35	30	24	17
WBWP4K Prathak-50/12/65/3-415-50-2 PUMP	8238308	12	5.0	3.7	10.6	65	68	56	52	47	42	36	29	20

Pump Set- Description	Art. No.	No. of Stages	Motor Rating		Rated current (A)	Discharge Dia.	Discharge (LPM)							
			HP	kW	3ph	(mm)	0	140	180	220	260	300	340	380
WBWP4L Prathak-20/07/65/3-415-50-2 PUMP	8238310	7	2.0	1.5	4.8	65	45	36	34	31	28	24	20	14
WBWP4L Prathak-30/08/65/3-415-50-2 PUMP	8238311	8	3.0	2.2	6.9	65	52	42	38	35	32	27	22	16
WBWP4L Prathak-30/09/65/3-415-50-2 PUMP	8238312	9	3.0	2.2	6.9	65	58	47	43	40	36	31	25	18
WBWP4L Prathak-40/10/65/3-415-50-2 PUMP	8238313	10	4.0	3.0	9.0	65	65	52	48	44	40	34	28	21
WBWP4L Prathak-50/14/65/3-415-50-2 PUMP	8238314	14	5.0	3.7	10.6	65	90	73	67	62	55	48	39	29
WBWP4L Prathak-50/16/65/3-415-50-2 PUMP	8238315	16	5.0	3.7	10.6	65	103	83	77	70	63	54	45	33

Selection Table – Three Phase

Pump Set- Description	Art. No.	No. of Stages	Motor Rating		Rated current (A) 3ph	Discharge Dia. (mm)	Discharge (LPM)							
			HP	kW			0	180	220	260	300	340	380	420
WBWP4M Prathak-20/06/65/3-415-50-2 PUMP	8238316	6	2.0	1.5	4.8	65	35	29	27	25	22	19	16	13
WBWP4M Prathak-30/08/65/3-415-50-2 PUMP	8238317	8	3.0	2.2	6.9	65	47	39	36	33	29	26	22	18
WBWP4M Prathak-40/10/65/3-415-50-2 PUMP	8238318	10	4.0	3.0	9.0	65	59	49	45	41	36	32	27	22

Control Panel for WBW4”

Control Panel for Borewell submersible pumpset (WBW4)



Technical Data:

Power: 0.37kW (0.5hp) to
2.2kW (3hp)

Phase: 1 Ph

Application

- Domestic household water supply
- Water supply to high rise buildings, housing complex, villas, farm houses, gardens & nurseries
- Washing – garages, poultry farms, cattle farms & stud farms
- Fountains

Standard Features:

- Designed & Robust construction
- Wall mounted/Floor Mounted Powder coated sheet metal enclosure, nos. of earth terminal
- Fitted with 4 Pole heavy duty contactor it can operate under wide voltage range
- Easy to install, operate & maintain
- Highly Precise Digital display unit for Full Fledged Motor Protection
- In build short-circuit protection

Technical Specification of Control Panel

Panel Model	Article No.	Power Rating		Full Load Current	Starting Capacitor	Running Capacitor
		kW	hp			
Control Panel WBW4 (0.5)	8200290	0.37	0.5	5.3	120/150	36
Control Panel WBW4 (0.75)	8200291	0.55	0.75	6.2	120/150	36
Control Panel WBW4 (1.0)	8200292	0.75	1.0	7.5	120/150	36
Control Panel WBW4 (1.5)	8200293	1.1	1.5	10.5	150/200	45
Control Panel WBW4 (2.0)	8200294	1.5	2.0	13.8	150/200	60
Control Panel WBW4 (3.0)	8200295	2.2	3.0	19.8	200/250	72

WBW 125 mm (5 ") – Water Filled

Borewell Submersible Pumpset



Technical Data:

Flow: upto 700 LPM

Head: upto 15 m

Power: upto 3.7kW (5 hp)

Material of construction:

Casing : CI

Impeller : SS 410

Motor Body : SS

Application

- Domestic & community water supply
- Water supply to high rise building, housing complex, villas & hotels, fountains
- Farm houses, gardens and nurseries
- Drip and sprinkler irrigation
- Washing – garages, poultry farms, cattle farms, and stud farms
- Industrial applications

Standard Features:

- Wide voltage range available in single phase and three phase
- High quality Winding Wires to ensure reliability & capability to withstand wide voltage fluctuation
- Adequate Bearing supports are provided at top, bottom and middle for better stability
- Casings are provided with wear ring (SS) for Longer life and ease in maintenance
- Top & Suction Bush are protected by proper Sand Guard arrangement
- Non return valve designed for minimum friction loss
- Water lubricated and fully rewindable motor with 2.75 m 3 core PVC flat cable along with earthing provision
- Resistant to corrosion and abrasion

Selection Table

Selection Chart – 125 mm (5") WIL0 Borehole Submersible Pump Sets–A Series, 3 Phase @ 2900 RPM

Pump Model	Article No.	No. of Stage	Power Rating		Starting method	Rating Current (A) 415 V	Discharge Dia. (mm)	Total Head (m)	Discharge (LPM)						
			kW	hp					0	300	350	400	480	550	600
WBW5A-50/05	8188844	5	3.7	5	DOL	10	75	47	39	36	34	31	28	24	15

WBW 150 mm (6") – Water Filled

Borewell Submersible Pumpset



Technical Data:

Flow: upto 1250 LPM

Head: upto 227 m

Power: upto 11.2kW (15 hp)

Application

- Domestic & community water supply
- Water supply to high rise building, housing complex, villas & hotels, fountains
- Farm houses, gardens and nurseries
- Drip and sprinkler irrigation
- Washing – garages, poultry farms, cattle farms, and stud farms
- Industrial applications

Standard Features:

- Wide voltage range available in single phase and three phase
- High quality Winding Wires to ensure reliability & capability to withstand wide voltage fluctuation
- Adequate Bearing supports are provided at top, bottom and middle for better stability
- Casings are provided with wear ring (SS) for Longer life and ease in maintenance
- Top & Suction Bush are protected by proper Sand Guard arrangement
- Non return valve designed for minimum friction loss
- Water lubricated and fully rewindable motor with 2.75 m 3 core PVC flat cable along with earthing provision
- Resistant to corrosion and abrasion

Material of construction:

Casing : CI

Impeller : SS 410

Motor Body : SS

Selection Table – Three Phase

Pump Model	Article No.	No. of Stage	Power Rating		Starting method	Rating Current (A) 415 V	Discharge Dia. (mm)	Total Head (m)	Discharge (LPM)							
			kW	hp					0	50	75	100	130	150	175	200
WBW6A-30/08	8164590	8	2.2	3	DOL	6.5	50	50	81	73	69	62	50	41	2917	

Pump Model	Article No.	No. of Stage	Power Rating		Starting method	Rating Current (A) 415 V	Discharge Dia. (mm)	Total Head (m)	Discharge (LPM)							
			kW	hp					0	75	100	140	150	175	200	225
WBW6B-30/06	8164591	6	2.2	3	DOL	6.5	50	68	60	56	46	43	35	25	13	
WBW6B-40/10	8164592	10	3	4	DOL	8.5	50	113	100	93	77	72	58	42	2	
WBW6B-50/12	8164593	12	3.7	5	DOL	10	50	136	120	112	92	86	70	50	26	
WBW6B-75/16	8164594	16	5.5	7.5	DOL	14.5	50	181	160	149	123	115	93	67	3	
WBW6B-75/16	8164815	16	5.5	7.5	S/D	14.5	50	181	160	149	123	115	93	67	35	
WBW6B-75/20	8164595	20	5.5	7.5	DOL	14.5	50	227	200	187	153	143	117	83	43	
WBW6B 75/20	8164816	20	5.5	7.5	S/D	14.5	50	227	200	187	153	143	117	83	43	

WBW 150 mm (6") – Water Filled Borewell Submersible Pumpset

Selection Table - Three Phase

Pump Model	Article No.	No. of Stage	Power Rating		Starting method	Rating Current (A)	Discharge		Discharge (LPM)							
			kW	hp												
									415 V	Dia. (mm)	0	100	125	150	190	200
WBW6C-50/08	8164596	8	3.7	5	DOL	10	50	Total Head (m)	87	79	76	72	63	60	44	24
WBW6C-60/10	8164597	10	4.5	6	DOL	12	50		109	99	95	90	79	75	55	30
WBW6C-75/12	8164598	12	5.5	7.5	DOL	14.5	50		131	119	114	108	95	90	66	36
WBW6C-75/12	8164817	12	5.5	7.5	S/D	14.5	50		131	119	114	108	95	90	66	36
WBW6C-100/16	8164599	16	7.5	10	S/D	19.5	50		174	158	152	144	126	120	88	48

Pump Model	Article No.	No. of Stage	Power Rating		Starting method	Rating Current (A)	Discharge		Discharge (LPM)							
			kW	hp												
									415 V	Dia. (mm)	0	125	150	200	245	300
WBW6E-30/04	8164600	4	2.2	3	DOL	6.5	50	Total Head (m)	45	41	40	37	33	27	22	14

Pump Model	Article No.	No. of Stage	Power Rating		Starting method	Rating Current (A)	Discharge		Discharge (LPM)							
			kW	hp												
									415 V	Dia. (mm)	0	100	175	235	300	350
WBW6F-30/03**	8188823	3	2.2	3	DOL	20.6	50	Total Head (m)	37	36	35	32	27	23	17	13

**1Ph 230 V

Pump Model	Article No.	No. of Stage	Power Rating		Starting method	Rating Current (A)	Discharge		Discharge (LPM)							
			kW	hp												
									415 V	Dia. (mm)	0	100	175	235	300	350
★WBW6F-30/03*	8164601	3	2.2	3	DOL	6.5	50	Total Head (m)	37	36	35	32	27	23	17	13
WBW6F-30/03	8188824	3	2.2	3	DOL	6.5	65		37	36	35	32	27	23	17	13
★WBW6F-50/05*	8164602	5	3.7	5	DOL	10	50		62	60	58	54	46	38	29	21
WBW6F-50/05	8188825	5	3.7	5	DOL	10	65		62	60	58	51	46	38	29	21
WBW6F-60/06*	8188826	6	4.5	6	DOL	12	50		74	72	70	64	55	46	35	25
WBW6F-60/06	8188827	6	4.5	6	DOL	12	65		74	72	70	64	55	46	35	25
★WBW6F-75/08*	8164603	8	5.5	7.5	DOL	14.5	50		98	96	93	86	73	61	46	34
WBW6F-75/08	8188828	8	5.5	7.5	DOL	14.5	65		98	96	93	86	73	61	46	34
WBW6F-75/08*	8164818	8	5.5	7.5	S/D	14.5	50		98	96	93	86	73	61	46	34
WBW6F-75/08	8188829	8	5.5	7.5	S/D	14.5	65		98	96	93	86	73	61	46	34
WBW6F-100/10	8164604	10	7.5	10	S/D	19.5	50		123	120	116	107	91	76	58	42

WBW 150 mm (6") – Water Filled

Borewell Submersible Pumpset

Selection Table - Three Phase

Pump Model	Article No.	No. of Stage	Power Rating		Starting method	Rating Current (A)	Discharge		Discharge (LPM)							
			kW	hp					0	350	400	450	520	570	620	715
			415 V	Dia. (mm)												
WBW6G-50/05	8168386	5	3.7	5	DOL	10	65	Total Head (m)	54	42	40	36	32	28	16	6
WBW6G-75/08	8168387	8	5.5	7.5	DOL	14.5	65		87	67	64	58	51	44	26	10
WBW6G-75/08	8168388	8	5.5	7.5	S/D	14.5	65		87	67	64	58	51	44	26	10
WBW6G-100/10	8168389	10	7.5	10	S/D	19.5	65		109	84	80	73	64	55	33	13
WBW6G-125/12	8168390	12	9.3	12.5	S/D	25	65		131	101	96	87	77	66	39	15

Pump Model	Article No.	No. of Stage	Power Rating		Starting method	Rating Current (A)	Discharge		Discharge (LPM)							
			kW	hp					0	400	450	510	600	650	700	750
			415 V	Dia. (mm)												
WBW6H-50/04	8168391	4	3.7	5	DOL	10	65	Total Head (m)	44	33	31	28	22	18	13	9
WBW6H-50/04	8188830	4	3.7	5	DOL	10	75		44	33	31	28	22	18	13	9
WBW6H-60/05*	8188831	5	4.5	6	DOL	12	65		55	41	39	35	28	23	16	11
WBW6H-60/05	8188832	5	4.5	6	DOL	12	75		55	41	39	35	28	23	16	11

*ISI

Pump Model	Article No.	No. of Stage	Power Rating		Starting method	Rating Current (A)	Discharge		Discharge (LPM)							
			kW	hp					0	450	550	660	700	750	850	930
			415 V	Dia. (mm)												
WBW6I-50/03	8168392	3	3.7	5	DOL	10	75	Total Head (m)	37	28	26	22	20	19	13	8
WBW6I-75/04*	8188833	4	5.5	7.5	DOL	14.5	75		50	38	34	30	27	25	17	10
WBW6I-75/04	8188834	4	5.5	7.5	DOL	14.5	100		50	38	34	30	27	25	17	10
WBW6I-75/04*	8188835	4	5.5	7.5	S/D	14.5	75		50	38	34	30	27	25	17	10
WBW6I-75/04	8188836	4	5.5	7.5	S/D	14.5	100		50	38	34	30	27	25	17	10
WBW6I-75/05*	8168393	5	5.5	7.5	DOL	14.5	75		62	47	43	37	34	31	21	13
WBW6I-75/05*	8168394	5	5.5	7.5	S/D	14.5	75		62	47	43	37	34	31	21	13

ISI

WBW 150 mm (6") – Water Filled Borewell Submersible Pumpset 50ft per stage

Selection Table – Three Phase

Pump Model	Article No.	Power Rating		Starting method	Max Current (A)	Discharge Dia. (mm)	Total Head (m)	Discharge (LPM)							
		kW	hp					0	75	90	105	120	140	160	180
		3 Ph (415 V)													
WBW6P-30/06/50/3-415-50-2	8238473	2.2	3	DOL	6.5	50	Total Head (m)	82	76	73	70	64	58	50	40
WBW6P-50/10/50/3-415-50-2	8238474	3.7	5	DOL	10	50		137	127	122	117	107	97	83	67

Pump Model	Article No.	Power Rating		Starting method	Max Current (A)	Discharge Dia. (mm)	Total Head (m)	Discharge (LPM)							
		kW	hp					0	70	100	130	160	190	220	250
		3 Ph (415 V)													
WBW6Q-30/05/50/3-415-50-2	8238475	2.2	3	DOL	6.5	50	Total Head (m)	74	70	68	66	59	48	36	25
WBW6Q-50/08/50/3-415-50-2	8238476	3.7	5	DOL	10	50		118	112	109	106	94	77	58	40

Pump Model	Article No.	Power Rating		Starting method	Max Current (A)	Discharge Dia. (mm)	Total Head (m)	Discharge (LPM)							
		kW	hp					0	100	130	160	190	220	250	280
		3 Ph (415 V)													
WBW6R-50/06/50/3-415-50-2	8238477	3.7	5	DOL	10	50	Total Head (m)	94	86	83	79	73	65	56	40
WBW6R-75/10/50/3-415-50-2_DOL	8238478	5.5	7.5	DOL	14.5	50		156	143	138	131	121	109	94	74
WBW6R-75/10/50/3-415-50-2_S/D	8238479	5.5	7.5	S/D	14.5	50		156	143	138	131	121	109	94	74

Pump Model	Article No.	Power Rating		Starting method	Max Current (A)	Discharge Dia. (mm)	Total Head (m)	Discharge (LPM)							
		kW	hp					0	130	160	190	220	260	300	340
		3 Ph (415 V)													
WBW6S-50/05/50/3-415-50-2	8238480	3.7	5	DOL	10	50	Total Head (m)	77	67	66	64	59	51	42	30
WBW6S-60/06/50/3-415-50-2	8238481	4.5	6	DOL	12	50		92	80	79	77	71	61	50	36
WBW6S-75/08/50/3-415-50-2_DOL	8238482	5.5	7.5	DOL	14.5	50		123	107	106	102	94	82	67	48
WBW6S-75/08/50/3-415-50-2_S/D	8238483	5.5	7.5	S/D	14.5	50		123	107	106	102	94	82	67	48
WBW6S-100/10/50/3-415-50-2	8238484	7.5	10	S/D	19.5	50		154	134	132	128	118	102	84	60

WBW 150 mm (6") – Water Filled Borewell Submersible Pumpset

Selection Table – Three Phase

Pump Model	Article No.	No. of Stage	Power Rating		Starting method	Rating Current (A)	Discharge	Total Head (m)	Discharge (LPM)									
			kW	hp					415 V	Dia. (mm)	0	550	650	750	850	950	1050	1200
WBW6J-75/04	8168395	4	5.5	7.5	DOL	14.5	75	Total Head (m)	48	36	34	33	30	27	22	14		
WBW6J-75/04	8168396	4	5.5	7.5	S/D	14.5	75		48	36	34	33	30	27	22	14		
WBW6J-100/05	8168397	5	7.5	10	S/D	19.5	75		60	45	43	41	38	34	28	18		

Pump Model	Article No.	No. of Stage	Power Rating		Starting method	Rating Current (A)	Discharge	Total Head (m)	Discharge (LPM)									
			kW	hp					415 V	Dia. (mm)	0	650	750	860	950	1050	1150	1250
WBW6K-75/03*	8168398	3	5.5	7.5	DOL	14.5	75	Total Head (m)	41	29	28	26	25	22	17	12		
WBW6K-75/03	8188837	3	5.5	7.5	DOL	14.5	100		41	29	28	26	25	22	17	12		
WBW6K-75/03P*	8168399	3	5.5	7.5	S/D	14.5	75		41	29	28	26	25	22	17	12		
WBW6K-75/03	8188838	3	5.5	7.5	S/D	14.5	100		41	29	28	26	25	22	17	12		
WBW6K-100/04*	8168400	4	7.5	10	S/D	19.5	75		55	39	37	35	33	29	22	16		
WBW6K-100/04	8188839	4	7.5	10	S/D	19.5	100		55	39	37	35	33	29	22	16		
WBW6K-125/05*	8188840	5	9.3	12.5	S/D	25	75		69	49	46	44	41	36	28	20		
WBW6K-125/05	8188841	5	9.3	12.5	S/D	25	100		69	49	46	44	41	36	28	20		
WBW6K-150/06*	8188842	6	11.2	15	S/D	29	75		83	59	56	53	50	44	33	24		
WBW6K-150/06	8188843	6	11.2	15	S/D	29	100		83	59	56	53	50	44	33	24		

*ISI

WBW 150 mm (6") – Water Filled

Borewell Submersible Pumpset 50ft per stage

Selection Table – Three Phase

Pump Model	Article No.	Power Rating		Starting method	Max Current (A)	Discharge Dia. (mm)	Total Head (m)	Discharge (LPM)							
		kW	hp					0	160	220	280	340	400	460	520
WBW6T-50/04/65/3-415-50-2	8238485	3.7	5	DOL	10	65	Total Head (m)	63	59	55	53	47	42	34	21
WBW6T-60/05/65/3-415-50-2	8238486	4.5	6	DOL	12	65		78	73	69	66	58	52	43	26
WBW6T-75/06/65/3-415-50-2_DOL	8238487	5.5	7.5	DOL	14.5	65		94	88	83	79	70	62	51	32
WBW6T-75/06/65/3-415-50-2_S/D	8238488	5.5	7.5	S/D	14.5	65		94	88	83	79	70	62	51	32
WBW6T-100/08/65/3-415-50-2	8238489	7.5	10	S/D	19.5	65		125	117	110	105	93	83	68	42
WBW6T-125/10/65/3-415-50-2	8238490	9.3	12	S/D	25.0	65		156	146	138	131	116	104	86	53

WBW 175 mm (7") – Water Filled

Borewell Submersible Pumpset



Technical Data:

Flow: upto 1700 LPM

Head: upto 105 m

Power: upto 18.5kW (25 hp)

Application

- Domestic household water supply
- Water supply to high rise building, housing complex, villas, farm houses, gardens and nurseries
- Washing – garages, poultry farms, cattle farms, and stud farms
- Fountains

Standard Features:

- Wide voltage range available in three phase
- High quality Winding Wires to ensure reliability & capability to withstand wide voltage fluctuation
- Adequate Bearing supports are provided at top, bottom and middle for better stability
- Casings are provided with wear ring (SS) for Longer life and ease in maintenance
- Top & Suction Bush are protected by proper Sand Guard arrangement
- Non return valve designed for minimum friction loss
- Water lubricated and fully rewindable motor with 2.75 m 3 core PVC flat cable along with earthing provision
- Resistant to corrosion and abrasion

Material of construction:

Casing : CI

Impeller : SS 410

Motor Body : SS

Motor Body Size: 150mm (6")

Pump Model	Article No.	No. of Stage	Power Rating		Starting method	Rating Current (A)	Discharge		Discharge (LPM)							
			kW	hp					415 V	Dia. (mm)	0	300	500	600	740	900
WBW7A-40/02	8195727	2	3.0	4.0	DOL	8.5	100	Total Head (m)	26	23	22	21	19	17	15	12
WBW7A-60/03	8195728	3	4.5	6.0	DOL	12.0	100		39	35	33	32	29	26	23	18
WBW7A-75/04	8195729	4	5.5	7.5	DOL	14.5	100		52	46	44	42	38	34	30	24

Pump Model	Article No.	No. of Stage	Power Rating		Starting method	Rating Current (A)	Discharge		Discharge (LPM)							
			kW	hp					415 V	Dia. (mm)	0	500	700	800	960	1100
WBW7B-50/02	8195730	2	3.7	5.0	DOL	10.0	100	Total Head (m)	28	23	22	20	19	18	14	10
WBW7B-75/03	8195731	3	5.5	7.5	DOL	14.5	100		42	35	33	30	29	27	21	15
WBW7B-100/04	8195732	4	7.5	10.0	S/D	19.5	100		56	46	44	40	38	36	28	20

WBW 175 mm (7") – Water Filled Borewell Submersible Pumpset

Selection Table – Three Phase

Pump Model	Article No.	No. of Stage	Power Rating		Starting method	Rating Current (A)	Discharge		Discharge (LPM)									
			kW	hp					415 V	Dia. (mm)	0	450	600	750	970	1100	1300	1500
WBW7C-60/02	8195733	2	4.5	6.0	DOL	12.0	100	Total Head (m)	31	28	26	24	22	20	15	10		
WBW7C-100/03	8195734	3	7.5	10.0	S/D	19.5	100		47	42	39	36	33	30	23	15		
WBW7C-125/04	8195735	4	9.3	12.5	S/D	25.0	100		62	56	52	48	44	40	30	20		
WBW7C-150/05	8195736	5	11.0	15.0	S/D	29.0	100		78	70	65	60	55	50	38	25		
Pump Model	Article No.	No. of Stage	Power Rating		Starting method	Rating Current (A)	Discharge		Discharge (LPM)									
			kW	hp					415 V	Dia. (mm)	0	500	700	900	1150	1300	1500	1700
WBW7D-75/02	8188845	2	5.5	7.5	DOL	14.5	100	Total Head (m)	37	32	30	28	24	21	17	11		
WBW7D-100/03	8188846	3	7.5	10.0	DOL	19.5	100		57	50	47	44	40	35	28	20		
WBW7D-150/04	8195737	4	11.0	15.0	S/D	29.0	100		76	67	62	59	53	46	37	26		
WBW7D-200/05	8195738	5	15.0	20.0	S/D	39.0	100		95	83	77	73	66	57	46	32		
Pump Model	Article No.	No. of Stage	Power Rating		Starting method	Rating Current (A)	Discharge		Discharge (LPM)									
			kW	hp					415 V	Dia. (mm)	0	500	700	900	1150	1300	1500	1700
WBW7E-125/03	8188847	3	9.3	12.5	DOL	25	100	Total Head (m)	60	52	49	45	41	36	30	22		
WBW7E-175/04	8195739	4	13.0	17.5	S/D	34.0	100		80	69	65	60	55	48	40	29		
Pump Model	Article No.	No. of Stage	Power Rating		Starting method	Rating Current (A)	Discharge		Discharge (LPM)									
			kW	hp					415 V	Dia. (mm)	0	500	700	900	1150	1300	1500	1700
WBW7F-100/02	8195740	2	7.5	10.0	S/D	19.5	100	Total Head (m)	42	36	34	32	29	25	21	16		
WBW7F-150/03	8188848	3	11.2	15	DOL	29	100		63	54	51	48	44	38	32	2		
WBW7F-200/04	8195741	4	15.0	20.0	S/D	39.0	100		84	72	68	64	58	50	42	32		
WBW7F-250/05	8195742	5	18.5	25.0	S/D	48.0	100		105	90	85	80	73	63	53	40		

WBW 200 mm (8") – Water Filled

Borewell Submersible Pumpset



Technical Data:

Flow: upto 2300 LPM
Head: upto 105 m
Power: upto 18.5kW (25 hp)

Application

- Domestic household water supply
- Water supply to high rise building, housing complex, villas, farm houses, gardens and nurseries
- Washing – garages, poultry farms, cattle farms, and stud farms
- Fountains

Standard Features:

- Wide voltage range available in three phase
- High quality Winding Wires to ensure reliability & capability to withstand wide voltage fluctuation
- Adequate Bearing supports are provided at top, bottom and middle for better stability
- Casings are provided with wear ring (SS) for Longer life and ease in maintenance
- Top & Suction Bush are protected by proper Sand Guard arrangement
- Non return valve designed for minimum friction loss
- Water lubricated and fully rewindable motor with 2.75 m 3 core PVC flat cable along with earthing provision
- Resistant to corrosion and abrasion

Material of construction:

Casing : CI
Impeller : SS 410
Motor Body : SS
Motor Body Size: 150mm (6")

Selection Table – Three Phase

Pump Model	Article No.	No. of Stage	Power Rating		Starting method	Rating Current (A)	Discharge		Discharge (LPM)							
			kW	hp					0	500	700	900	1100	1300	1500	1700
WBW8A-75/02	8195743	2	5.5	7.5	DOL	14.5	100	Total Head (m)	49	39	35	33	29	26	17	13
Pump Model	Article No.	No. of Stage	Power Rating		Starting method	Rating Current (A)	Discharge		Discharge (LPM)							
			kW	hp					0	500	700	900	1100	1300	1500	1700
WBW8B-75/02	8188849	3	5.5	7.5	DOL	14.5	100	Total Head (m)	37	31	30	28	25	22	18	13
Pump Model	Article No.	No. of Stage	Power Rating		Starting method	Rating Current (A)	Discharge		Discharge (LPM)							
			kW	hp					0	700	800	1000	1250	1400	1600	1800
WBW8C-100/03	8188850	3	7.5	10	DOL	19.5	100	Total Head (m)	55	44	43	40	35	30	23	14

150mm motor dia. 200mm pump dia.

WBW 200 mm (8") – Water Filled Borewell Submersible Pumpset

Selection Table – Three Phase

Pump Model	Article No.	No. of Stage	Power Rating		Starting method	Rating Current (A)	Discharge		Discharge (LPM)									
			kW	hp					415 V	Dia. (mm)	0	800	1000	1200	1300	1600	1900	2100
			Total Head (m)															
WBW8D-100/02	8195744	2	7.5	10.0	S/D	19.5	100	Total Head (m)	41	33	32	30	28	20	13	10		
WBW8D-150/03	8188851	3	11.2	15.0	DOL	29	100		62	52	50	47	44	33	23	13		

Pump Model	Article No.	No. of Stage	Power Rating		Starting method	Rating Current (A)	Discharge		Discharge (LPM)									
			kW	hp					415 V	Dia. (mm)	0	500	700	900	1100	1500	1900	2100
			Total Head (m)															
WBW8E-75/02	8195745	2	5.5	7.5	DOL	14.5	100	Total Head (m)	41	35	33	31	30	24	18	10		
WBW8E-125/03	8188852	3	9.3	12.5	S/D	25	100		61	53	50	47	45	36	27	15		
WBW8E-150/04	8195746	4	11.0	15.0	S/D	29.0	100		81	70	67	63	60	48	36	20		
WBW8E-200/05	8195747	5	15.0	20.0	S/D	39.0	100		102	88	84	79	75	59	46	25		

Pump Model	Article No.	No. of Stage	Power Rating		Starting method	Rating Current (A)	Discharge		Discharge (LPM)									
			kW	hp					415 V	Dia. (mm)	0	900	1000	1200	1450	1600	1800	2100
			Total Head (m)															
WBW8F-125/02	8195748	2	9.3	12.5	S/D	25.0	125	Total Head (m)	43	36	34	32	29	28	24	18		
WBW8F-175/03	8195749	3	13.0	17.5	S/D	34.0	125		65	54	51	48	44	42	36	27		
WBW8F-250/04	8195750	4	18.5	25.0	S/D	48.0	125		86	72	68	64	59	56	48	36		

Pump Model	Article No.	No. of Stage	Power Rating		Starting method	Rating Current (A)	Discharge		Discharge (LPM)									
			kW	hp					415 V	Dia. (mm)	0	900	1100	1300	1450	1700	1900	2200
			Total Head (m)															
WBW8G-75/01	8188853	1	5.5	7.5	S/D	14.5	125	Total Head (m)	26	20	19	18	17	16	14	7		
WBW8G-150/02	8195751	2	11.0	15.0	S/D	29.0	125		53	41	39	37	36	33	30	15		
WBW8G-250/03	8188854	3	18.5	25.0	S/D	48	125		80	62	59	56	54	50	46	22		
WBW8G-300/04	8195752	4	22.0	30.0	S/D	57.0	125		106	83	79	75	72	67	61	29		

WBW 200 mm (8") – Water Filled

Borewell Submersible Pumpset

Selection Table – Three Phase

Pump Model	Article No.	No. of Stage	Power Rating		Starting method	Rating Current (A)	Discharge		Discharge (LPM)							
			kW	hp					0	900	1100	1300	1450	1700	1900	2200
WBW8H-200/02	8195753	2	15.0	20.0	S/D	39.0	100	Total Head (m)	56	44	42	40	38	36	32	20
WBW8H-300/03	8195754	3	22.0	30.0	S/D	57.0	100		84	66	63	60	57	54	48	31
Pump Model	Article No.	No. of Stage	Power Rating		Starting method	Rating Current (A)	Discharge		Discharge (LPM)							
			kW	hp					0	800	1000	1200	1500	1800	2000	2300
WBW8I-100/02	8195755	2	7.5	10.0	S/D	19.5	100	Total Head (m)	42	36	32	30	29	24	20	10
WBW8I-150/03	8195756	3	11.0	15.0	S/D	29.0	100		63	54	48	45	44	36	30	15
WBW8I-200/04	8195757	4	15.0	20.0	S/D	39.0	100		84	72	64	60	58	48	40	20
WBW8I-250/05	8195758	5	18.5	25.0	S/D	48.0	100		105	90	80	75	73	60	50	25
Pump Model	Article No.	No. of Stage	Power Rating		Starting method	Rating Current (A)	Discharge		Discharge (LPM)							
			kW	hp					0	900	1100	1300	1550	1800	2000	2200
WBW8J-125/02	8195759	2	9.3	12.5	S/D	25.0	125	Total Head (m)	51	40	38	37	34	31	28	18
WBW8J-200/03	8188855	3	15	20	S/D	39	125		76	61	57	55	51	46	41	27
WBW8J-275/04	8195760	4	20.5	27.5	S/D		125		101	81	76	73	68	61	54	36

wilo